



Pillow Blocks

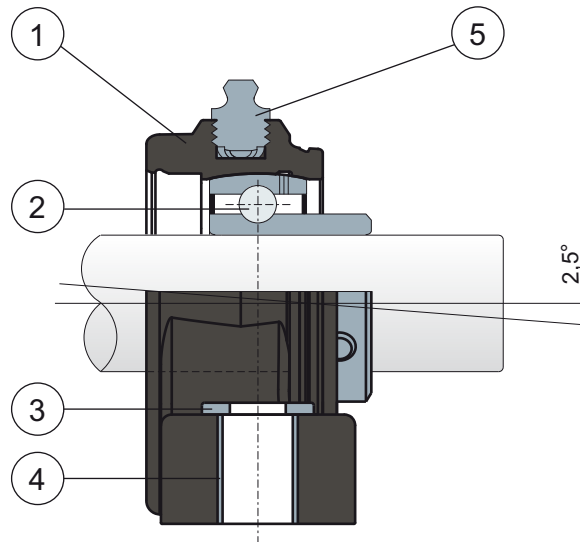
Serie **UCP**



NEW

New product line with support body in PA white colour.

Without cover and back gasket



- 1) Support body made out of black or white polyamide reinforced with glass fibers.
- 2) Chrome steel or stainless steel bearing AISI 440C.
- 3) UNI 6592 support washer made out of stainless steel AISI 304.
- 4) Spacer for fixing reinforcement made out of stainless steel AISI 304.
- 5) Greaser for relubrication made out of nickel-plated brass.

Support dimensions respect ISO 3228 set of rules.

Maximum shaft alignment error 2,5°.

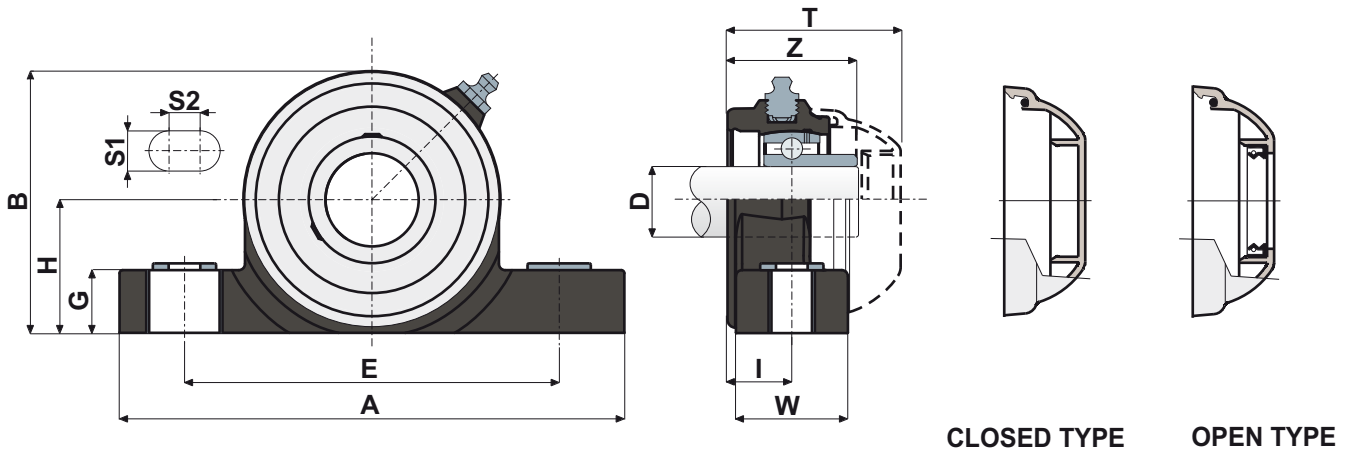
For further information please contact our technical office or sales department.



Pillow Blocks

Technical data

Serie **UCP**



CLOSED TYPE

OPEN TYPE

CHROME STEEL BEARING																			
D	SERIE	Support CODES		DIMENSIONS (mm)										Bearing load (N)		Bearing support load	COVER CODES		
		Black colour	White colour	E	A	S1	S2	G	H	B	I	W	Z	T	C	C0	(N)	Closed type	Open type
20	UCP 204	84082	84782	96	130	13	10	20	33,5	65,5	18	30	36	49	12800	6600	5750	80254	80255
25	UCP 205	83691	84783	106	140	13	10	20	36,5	71,5	19,6	35	39	51,7	14000	7800	6900	80075	80076
30	UCP 206	83692	84784	121	163	13	10	20	43	84,5	20,7	36	41,7	55,7	19500	11300	9200	80011	80053
35	UCP 207	83693	84785	126	168	13	10	20	47,6	93,3	22,7	39	48	61,8	25500	15300	11500	80077	80078

STAINLESS STEEL BEARING AISI 440C																			
D	SERIE	Support CODES		DIMENSIONS (mm)										Bearing load (N)		Bearing support load	COVER CODES		
		Black colour	White colour	E	A	S1	S2	G	H	B	I	W	Z	T	C	C0	(N)	Closed type	Open type
20	UCP 204	84083	84786	96	130	13	10	20	33,5	65,5	18	30	36	49	8300	6550	5750	80254	80255
25	UCP 205	83705	84787	106	140	13	10	20	36,5	71,5	19,6	35	39	51,7	9150	7800	6900	80075	80076
30	UCP 206	83706	84788	121	163	13	10	20	43	84,5	20,7	36	41,7	55,7	12500	11200	9200	80011	80053
35	UCP 207	83707	84789	126	168	13	10	20	47,6	93,3	22,7	39	48	61,8	16600	15300	11500	80077	80078

VERSIONS WITH MEASURES IN INCHES

CHROME STEEL BEARING																				
D (inches)	D (mm)	SERIE	Support CODES		DIMENSIONS (mm)										Bearing load (N)		Bearing support load	COVER CODES		
			Black colour	White colour	E	A	S1	S2	G	H	B	I	W	Z	T	C	C0	(N)	Closed type	Open type
1"	25,4	UCP 205	84537	84936	106	140	13	10	20	36,5	71,5	19,6	35	39	51,7	14000	7800	6900	80075	80076
1 1/4"	31,75	UCP 206	84538	84937	121	163	13	10	20	43	84,5	20,7	36	41,7	55,7	19500	11300	9200	80011	80053

MATERIALS: Support made out of black or white colour PA+glass fiber; chrome steel or stainless steel bearing; greaser made out of nickel plated brass; reinforcement bushings and washers made out of stainless steel AISI 304; cover made out of polypropylene, grey colour RAL 7042.
FEATURES: The difference from UCP/C series is lack of back gasket and protection covers, which can be ordered separately as accessories. Assembly with shouldered and not shouldered shafts. Maximum shaft alignment error 2,5°.

BOX QUANTITY: 8 pieces.

ON REQUEST: Versions with body in polypropylene + glass fiber and antibacterial additive; protection cover in different colors and with customized brand; box quantity according to your request; Viton gaskets, "Long life" bearings.