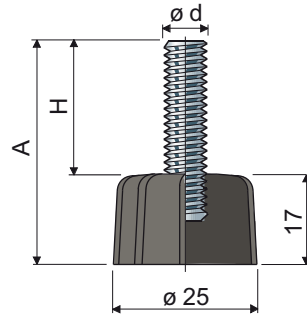


Fixed feet

(base in reinforced polyamide)



Ø 25 Part. 2

Spindle measures in mm					
ø d	A	H	Spindle in zinc plated steel	Spindle in stainless steel AISI 304	Max static load (N)
			Code	Code	
M8	40	23	2 / 7702	2 / 7703	4000
	50	33	2 / 7706	2 / 7707	
M10	40	23	2 / 7712	2 / 7713	5000
	50	33	2 / 7716	2 / 7717	
M12	75	58	2 / 80156	2 / 80157	6000

Base material: Reinforced polyamide black colour.

Box quantity: 24 pieces.

Washers UNI 6592-69 - Box quantity: 24 pieces.

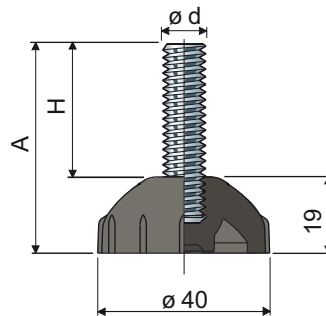
ø M	M8	M10	M12
Smm	1,6	2	2,5
ø A mm	17	21	24
Zinc plated steel codes	7636	7283	7284
Stainless steel codes	7637	7286	7287

Nuts UNI 5588-65 - Box quantity: 24 pieces.

ø d	M8	M10	M12
Smm	6,5	8	10
Ch. mm	13	17	19
Zinc plated steel codes	7634	7269	7270
Stainless steel codes	7635	7272	7273

On request

- Bases: In reinforced polypropylene • other colours.
- Box quantity: Not standard.
- Assembling of: Nuts • washers.



Ø 40 Part. 4

Spindle measures in mm					
ø d	A	H	Spindle in zinc plated steel	Spindle in stainless steel AISI 304	Max static load (N)
			Code	Code	
M8	40	21	4 / 7722	4 / 7723	4000
	50	31	4 / 7726	4 / 7727	
M10	40	21	4 / 7732	4 / 7733	5000
	50	31	4 / 7736	4 / 7737	
M12	75	56	4 / 80158	4 / 80159	6000

Base material: Reinforced polyamide black colour.

Box quantity: 24 pieces.

Accessories

Anti-slip pads:

- code: 7263;
- material: soft PVC 68 shore black colour;
- box quantity: 24 pieces.



Washers UNI 6592-69 - Box quantity: 24 pieces.

ø M	M8	M10	M12
Smm	1,6	2	2,5
ø A mm	17	21	24
Zinc plated steel codes	7636	7283	7284
Stainless steel codes	7637	7286	7287

Nuts UNI 5588-65 - Box quantity: 24 pieces.

ø d	M8	M10	M12
Smm	6,5	8	10
Ch. mm	13	17	19
Zinc plated steel codes	7634	7269	7270
Stainless steel codes	7635	7272	7273

On request

- Bases: In reinforced polypropylene • other colours.
- Box quantity: Not standard.
- Assembling of: Anti-slip pads • nuts • washers.