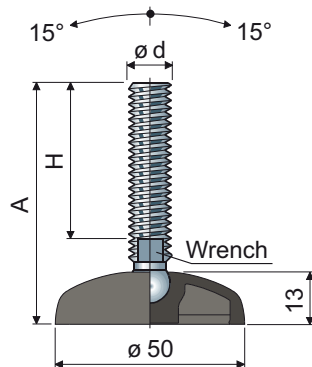


Articulated feet

(base in reinforced polyamide)

Ø 50 Part. 15



Spindle measures in mm				Spindle in zinc plated steel	Spindle in stainless steel AISI 304	Max static load (N)
Ød	A	H	Wrench	Code	Code	
M8	68	45	6	15 / 7396	15 / 7397	11000
	88	65	6	15 / 7398	15 / 7399	
	130	107	6	15 / 7896	15 / 7897	
M10	60	35	8	15 / 7018	15 / 7019	12000
	95	70	8	15 / 7020	15 / 7021	
	140	115	8	15 / 7022	15 / 7023	
M12	70	43	10	15 / 7024	15 / 7025	13000
	90	63	10	15 / 7026	15 / 7027	
	105	77	10	15 / 7400	15 / 7401	
	120	93	10	15 / 7028	15 / 7029	
	150	123	10	15 / 7030	15 / 7031	
M14	90	61	12	15 / 7032	15 / 7033	14000
	120	91	12	15 / 7034	15 / 7035	
	145	116	12	15 / 7886	15 / 7887	

Spindle measures in inches				Spindle in zinc plated steel	Spindle in stainless steel AISI 304	Max static load (N)
Ød	A	H	Wrench	Code	Code	
1/2"-13 UNC	5,1"	4"	7/16"	15 / 83268	15 / 83269	12000

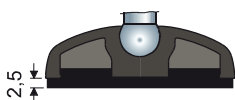
Base material: Reinforced polyamide black colour.

Box quantity: 24 pieces.

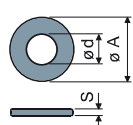
Accessories

Anti-slip pads:

- code: 7264;
- material: soft PVC 68 shore black colour;
- box quantity: 24 pieces.

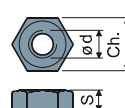


Washers UNI 6592-69 - Box quantity: 24 pieces.



Ø M	M8	M10	M12	M14
Smm	1,6	2	2,5	2,5
Ø A mm	17	21	24	28
Zinc plated steel codes	7636	7283	7284	7285
Stainless steel codes	7637	7286	7287	7288

Nuts UNI 5588-65 - Box quantity: 24 pieces.



Ø d	M8	M10	M12	M14
Smm	6,5	8	10	11
Ch. mm	13	17	19	22
Zinc plated steel codes	7634	7269	7270	7271
Stainless steel codes	7635	7272	7273	7274

On request

- Bases: In reinforced polypropylene • other colours.
- Spindles with: Sunk hexagon head • second wrench seat head • hexagon wrench seat • threads with other pitches and lengths.
- Box quantity: Not standard.
- Assembling of: Anti-slip pads • nuts • washers.