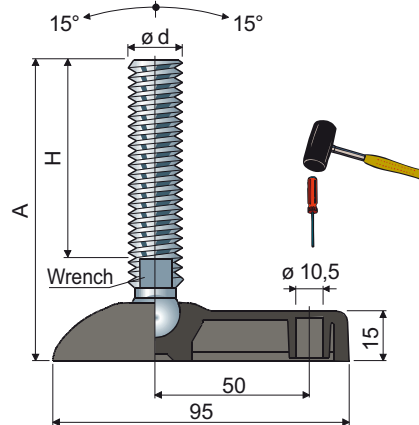


Articulated feet

(base in reinforced polyamide)

60X95 Part. 27



| Spindle measures in mm | | | | | | |
|------------------------|-----|-----|--------|------------------------------|-------------------------------------|---------------------|
| ød | A | H | Wrench | Spindle in zinc plated steel | Spindle in stainless steel AISI 304 | Max static load (N) |
| | | | | Code | Code | |
| M8 | 72 | 45 | 6 | 27 / 7412 | 27 / 7413 | 12000 |
| | 92 | 65 | 6 | 27 / 7414 | 27 / 7415 | |
| | 134 | 107 | 6 | 27 / 7900 | 27 / 7901 | |
| M10 | 64 | 35 | 8 | 27 / 7416 | 27 / 7417 | 13000 |
| | 99 | 70 | 8 | 27 / 7418 | 27 / 7419 | |
| | 144 | 115 | 8 | 27 / 7420 | 27 / 7421 | |
| M12 | 74 | 43 | 10 | 27 / 7422 | 27 / 7423 | 14000 |
| | 94 | 63 | 10 | 27 / 7424 | 27 / 7425 | |
| | 109 | 77 | 10 | 27 / 7426 | 27 / 7427 | |
| | 124 | 93 | 10 | 27 / 7428 | 27 / 7429 | |
| | 154 | 123 | 10 | 27 / 7430 | 27 / 7431 | |
| M14 | 94 | 61 | 12 | 27 / 7432 | 27 / 7433 | 15000 |
| | 124 | 91 | 12 | 27 / 7434 | 27 / 7435 | |
| | 149 | 116 | 12 | 27 / 7890 | 27 / 7891 | |
| M16 | 95 | 60 | 13 | 27 / 7436 | 27 / 7437 | 17000 |
| | 125 | 90 | 13 | 27 / 7438 | 27 / 7439 | |
| | 140 | 105 | 13 | 27 / 7440 | 27 / 7441 | |
| | 160 | 125 | 13 | 27 / 7442 | 27 / 7443 | |
| | 190 | 155 | 13 | 27 / 7444 | 27 / 7445 | |
| | 200 | 165 | 13 | 27 / 7446 | 27 / 7447 | |
| M20 | 240 | 205 | 13 | 27 / 83158 | 27 / 83159 | 19000 |
| | 125 | 86 | 17 | 27 / 7448 | 27 / 7449 | |
| | 155 | 116 | 17 | 27 / 7450 | 27 / 7451 | |
| | 180 | 141 | 17 | 27 / 7452 | 27 / 7453 | |
| | 245 | 206 | 17 | 27 / 7454 | 27 / 7455 | |

| Spindle measures in inches | | | | | | |
|----------------------------|-------|----|--------|------------------------------|-------------------------------------|---------------------|
| ød | A | H | Wrench | Spindle in zinc plated steel | Spindle in stainless steel AISI 304 | Max static load (N) |
| | | | | Code | Code | |
| 1/2"-13 UNC | 5,24" | 4" | 7/16" | 27 / 83276 | 27 / 83277 | 14000 |
| 5/8"-11 UNC | 8,38" | 7" | 1/2" | 27 / 83278 | 27 / 83279 | 17000 |
| 3/4"-10 UNC | 8,47" | 7" | 5/8" | 27 / 83280 | 27 / 83281 | 19000 |

Base material: Reinforced polyamide black colour.

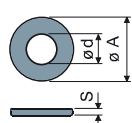
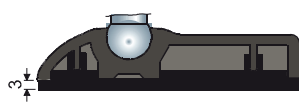
Box quantity: 24 pieces.

Accessories

Anti-slip pads:

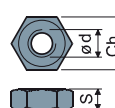
- code: 7632;
- material: soft PVC 68 shore black colour;
- box quantity: 24 pieces.

Washers UNI 6592-69 - Box quantity: 24 pieces.



| øM | M8 | M10 | M12 | M14 | M16 | M20 |
|-------------------------|------|------|------|------|------|------|
| Smm | 1,6 | 2 | 2,5 | 2,5 | 3 | 3 |
| øA mm | 17 | 21 | 24 | 28 | 30 | 37 |
| Zinc plated steel codes | 7636 | 7283 | 7284 | 7285 | 7289 | 7290 |
| Stainless steel codes | 7637 | 7286 | 7287 | 7288 | 7291 | 7292 |

Nuts UNI 5588-65 - Box quantity: 24 pieces.



| ø d | M8 | M10 | M12 | M14 | M16 | M20 |
|-------------------------|------|------|------|------|------|------|
| Smm | 6,5 | 8 | 10 | 11 | 13 | 16 |
| Ch. mm | 13 | 17 | 19 | 22 | 24 | 30 |
| Zinc plated steel codes | 7634 | 7269 | 7270 | 7271 | 7275 | 7276 |
| Stainless steel codes | 7635 | 7272 | 7273 | 7274 | 7277 | 7278 |

On request

- Bases: In reinforced polypropylene • other colours • with prebored fixing holes.
- Spindles with: Sunk hexagon head • second wrench seat head • hexagon wrench seat • threads with other pitches and lengths.
- Box quantity: Not standard.
- Assembling of: Anti-slip pads • nuts • washers.