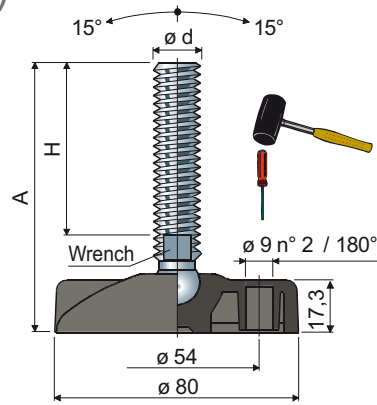


Articulated feet

(base in reinforced polyamide)

Part. **25** \varnothing **80**



Spindle measures in mm				Spindle in zinc plated steel	Spindle in stainless steel AISI 304	Max static load (N)
$\varnothing d$	A	H	Wrench	Code	Code	
M8	74	45	6	25 / 7456	25 / 7457	12000
	94	65	6	25 / 7458	25 / 7459	
	136	107	6	25 / 7902	25 / 7903	
M10	66	35	8	25 / 7070	25 / 7071	14000
	101	70	8	25 / 7072	25 / 7073	
	146	115	8	25 / 7074	25 / 7075	
M12	76	43	10	25 / 7076	25 / 7077	15000
	96	63	10	25 / 7078	25 / 7079	
	111	77	10	25 / 7460	25 / 7461	
	126	93	10	25 / 7080	25 / 7081	
M14	156	123	10	25 / 7082	25 / 7083	16000
	96	61	12	25 / 7084	25 / 7085	
	126	91	12	25 / 7086	25 / 7087	
M16	151	116	12	25 / 7892	25 / 7893	19000
	97	60	13	25 / 7088	25 / 7089	
	127	90	13	25 / 7462	25 / 7463	
	142	105	13	25 / 7090	25 / 7091	
	162	125	13	25 / 7092	25 / 7093	
M20	192	155	13	25 / 7464	25 / 7465	21000
	202	165	13	25 / 7094	25 / 7095	
	242	205	13	25 / 83160	25 / 83161	
	127	86	17	25 / 7096	25 / 7097	
M24	157	116	17	25 / 7098	25 / 7099	23000
	182	141	17	25 / 7100	25 / 7101	
	247	206	17	25 / 7102	25 / 7103	
M24	137	96	19	25 / 7466	25 / 7467	23000
	163	122	19	25 / 7104	25 / 7105	
	193	152	19	25 / 7106	25 / 7107	
	223	182	19	25 / 7108	25 / 7109	
	341	300	19	25 / 7472	25 / 7473	

Spindle measures in inches				Spindle in zinc plated steel	Spindle in stainless steel AISI 304	Max static load (N)
$\varnothing d$	A	H	Wrench	Code	Code	
1/2" -13 UNC	5,20"	4"	7/16"	25 / 83282	25 / 83283	15000
5/8" -11 UNC	8,32"	7"	1/2"	25 / 83284	25 / 83285	19000
3/4" -10 UNC	8,41"	7"	5/8"	25 / 83286	25 / 83287	21000

Base material: Reinforced polyamide black colour.

Box quantity: 24 pieces.

Accessories

Anti-slip pads:

- code: 7266;

- material: soft PVC 68 shore black colour;

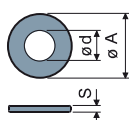
- box quantity: 24 pieces.



On request

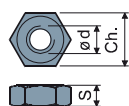
- Bases: In reinforced polypropylene • other colours • with prebored fixing holes.
- Spindles with: Sunk hexagon head • second wrench seat head • hexagon wrench seat • threads with other pitches and lengths.
- Box quantity: Not standard.
- Assembling of: Anti-slip pads • nuts • washers.

Washers UNI 6592-69 - Box quantity: 24 pieces.



$\varnothing M$	M8	M10	M12	M14	M16	M20	M24
Smm	1,6	2	2,5	2,5	3	3	4
$\varnothing A$ mm	17	21	24	28	30	37	44
Zinc plated steel codes	7636	7283	7284	7285	7289	7290	7293
Stainless steel codes	7637	7286	7287	7288	7291	7292	7294

Nuts UNI 5588-65 - Box quantity: 24 pieces.



$\varnothing d$	M8	M10	M12	M14	M16	M20	M24
Smm	6,5	8	10	11	13	16	19
Ch. mm	13	17	19	22	24	30	36
Zinc plated steel codes	7634	7269	7270	7271	7275	7276	7279
Stainless steel codes	7635	7272	7273	7274	7277	7278	7280