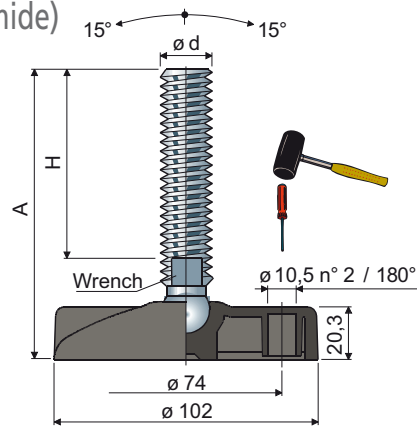


Articulated feet

(base in reinforced polyamide)



Ø 102 Part. 38

Spindle measures in mm						
ød	A	H	Wrench	Spindle in zinc plated steel Code	Spindle in stainless steel AISI 304 Code	Max static load (N)
M12	79	43	10	38 / 83166	38 / 83167	15000
	99	63	10	38 / 83168	38 / 83169	
	114	78	10	38 / 83170	38 / 83171	
	129	93	10	38 / 83172	38 / 83173	
	159	123	10	38 / 83174	38 / 83175	
M14	99	61	12	38 / 83176	38 / 83177	18000
	129	91	12	38 / 83178	38 / 83179	
	154	116	12	38 / 83180	38 / 83181	
M16	100	60	13	38 / 7110	38 / 7111	22000
	130	90	13	38 / 7474	38 / 7475	
	145	105	13	38 / 7112	38 / 7113	
	165	125	13	38 / 7114	38 / 7115	
	195	155	13	38 / 7476	38 / 7477	
	205	165	13	38 / 7116	38 / 7117	
M20	245	205	13	38 / 83182	38 / 83183	24000
	130	86	17	38 / 7118	38 / 7119	
	160	116	17	38 / 7120	38 / 7121	
	185	141	17	38 / 7122	38 / 7123	
M24	250	206	17	38 / 7124	38 / 7125	26000
	140	96	19	38 / 7478	38 / 7479	
	166	122	19	38 / 7126	38 / 7127	
	196	152	19	38 / 7128	38 / 7129	
	226	182	19	38 / 7130	38 / 7131	
	344	300	19	38 / 7484	38 / 7485	

Spindle measures in inches						
ød	A	H	Wrench	Spindle in zinc plated steel Code	Spindle in stainless steel AISI 304 Code	Max static load (N)
1/2"-13 UNC	5,44"	4"	7/16"	38 / 83288	38 / 83289	15000
5/8"-11 UNC	8,57"	7"	1/2"	38 / 83290	38 / 83291	22000
3/4"-10 UNC	8,65"	7"	5/8"	38 / 83292	38 / 83293	24000

Base material: Reinforced polyamide black colour.

Box quantity: 24 pieces.

Accessories

Anti-slip pads:

- code: 7267;
- material: soft PVC 68 shore black colour;
- box quantity: 24 pieces.

Washers UNI 6592-69 - Box quantity: 24 pieces.

ø M	M12	M14	M16	M20	M24
Smm	2,5	2,5	3	3	4
ø A mm	24	28	30	37	44
Zinc plated steel codes	7284	7285	7289	7290	7293
Stainless steel codes	7287	7288	7291	7292	7294

Nuts UNI 5588-65 - Box quantity: 24 pieces.

ø d	M12	M14	M16	M20	M24
Smm	10	11	13	16	19
Ch. mm	19	22	24	30	36
Zinc plated steel codes	7270	7271	7275	7276	7279
Stainless steel codes	7273	7274	7277	7278	7280

On request

- Bases: In reinforced polypropylene • other colours • with prebored fixing holes.
- Spindles with: Sunk hexagon head • second wrench seat head • hexagon wrench seat • threads with other pitches and lengths.
- Box quantity: Not standard.
- Assembling of: Anti-slip pads • nuts • washers.