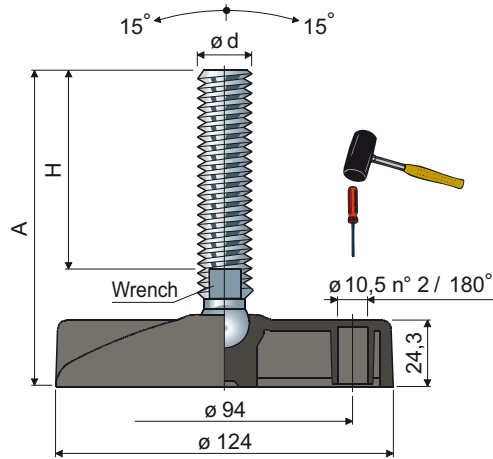


Articulated feet

(base in reinforced polyamide)

Part. **45** Ø **124**



Spindle measures in mm						
$\varnothing d$	A	H	Wrench	Spindle in zinc plated steel	Spindle in stainless steel AISI 304	Max static load (N)
				Code	Code	
M14	103	61	12	45 / 83184	45 / 83185	18000
	133	91	12	45 / 83186	45 / 83187	
	158	116	12	45 / 83188	45 / 83189	
M16	104	60	13	45 / 7132	45 / 7133	25000
	134	90	13	45 / 7486	45 / 7487	
	149	105	13	45 / 7134	45 / 7135	
	169	125	13	45 / 7136	45 / 7137	
	199	155	13	45 / 7488	45 / 7489	
	209	165	13	45 / 7138	45 / 7139	
	249	205	13	45 / 83162	45 / 83163	
M20	134	86	17	45 / 7140	45 / 7141	27000
	164	116	17	45 / 7142	45 / 7143	
	189	141	17	45 / 7144	45 / 7145	
	254	206	17	45 / 7146	45 / 7147	
M24	144	96	19	45 / 7490	45 / 7491	29000
	170	122	19	45 / 7148	45 / 7149	
	200	152	19	45 / 7150	45 / 7151	
	230	182	19	45 / 7152	45 / 7153	
	348	300	19	45 / 7496	45 / 7497	

Spindle measures in inches						
$\varnothing d$	A	H	Wrench	Spindle in zinc plated steel	Spindle in stainless steel AISI 304	Max static load (N)
				Code	Code	
5/8"-11 UNC	8,75"	7"	1/2"	45 / 83294	45 / 83295	25000
3/4"-10 UNC	8,82"	7"	5/8"	45 / 83296	45 / 83297	27000

Base material: Reinforced polyamide black colour.

Box quantity: 8 pieces.

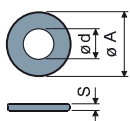
Accessories

Anti-slip pads:

- code: 7268;
- material: soft PVC 68 shore black colour;
- box quantity: 8 pieces.

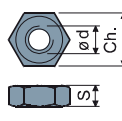


Washers UNI 6592-69 - Box quantity: 24 pieces.



$\varnothing M$	M14	M16	M20	M24
Smm	2,5	3	3	4
$\varnothing A$ mm	28	30	37	44
Zinc plated steel codes	7285	7289	7290	7293
Stainless steel codes	7288	7291	7292	7294

Nuts UNI 5588-65 - Box quantity: 24 pieces.



$\varnothing d$	M14	M16	M20	M24
Smm	11	13	16	19
Ch. mm	22	24	30	36
Zinc plated steel codes	7271	7275	7276	7279
Stainless steel codes	7274	7277	7278	7280

On request

- Bases: In reinforced polypropylene • other colours • with prebored fixing holes.
- Spindles with: Sunk hexagon head • second wrench seat head • hexagon wrench seat • threads with other pitches and lengths.
- Box quantity: Not standard.
- Assembling of: Anti-slip pads • nuts • washers.