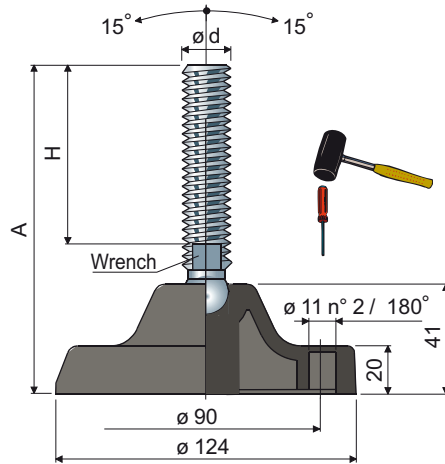


Articulated feet

(base in reinforced polyamide)



ø 124 Part. 92

Spindle measures in mm			Wrench	Spindle in zinc plated steel	Spindle in stainless steel AISI 304	Max static load (N)
ød	A	H		Code	Code	
M16	120	60	13	92 / 7782	92 / 7783	25000
	150	90	13	92 / 7784	92 / 7785	
	165	105	13	92 / 7786	92 / 7787	
	185	125	13	92 / 7788	92 / 7789	
	215	155	13	92 / 7790	92 / 7791	
	225	165	13	92 / 7792	92 / 7793	
M20	265	205	13	92 / 83164	92 / 83165	27000
	149	86	17	92 / 7794	92 / 7795	
	179	116	17	92 / 7796	92 / 7797	
	204	141	17	92 / 7798	92 / 7799	
M24	269	206	17	92 / 7800	92 / 7801	29000
	159	96	19	92 / 80702	92 / 80703	
	185	122	19	92 / 80704	92 / 80705	
	215	152	19	92 / 80706	92 / 80707	
	245	182	19	92 / 80708	92 / 80709	
	363	300	19	92 / 80710	92 / 80711	

Spindle measures in inches			Wrench	Spindle in zinc plated steel	Spindle in stainless steel AISI 304	Max static load (N)
ød	A	H		Code	Code	
5/8"-11 UNC	9,29"	7"	1/2"	92 / 83298	92 / 83299	25000
3/4"-10 UNC	9,37"	7"	5/8"	92 / 83300	92 / 83301	27000

Base material: Reinforced polyamide black colour.

Box quantity: 8 pieces.

Accessories

Anti-slip pads:

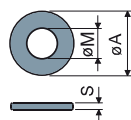
- code: 7633;

- material: soft PVC 68 shore black colour;

- box quantity: 8 pieces.

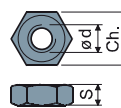


Washers UNI 6592-69 - Box quantity: 24 pieces.



øM	M16	M20	M24
Smm	3	3	4
øAmm	30	37	44
Zinc plated steel codes	7289	7290	7293
Stainless steel codes	7291	7292	7294

Nuts UNI 5588-65 - Box quantity: 24 pieces.



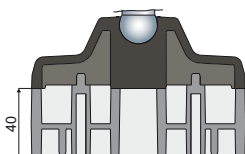
ø d	M16	M20	M24
Smm	13	16	19
Ch. mm	24	30	36
Zinc plated steel codes	7275	7276	7279
Stainless steel codes	7277	7278	7280

Spacers:

- code: 83410 (see pag. 170);

- material: Reinforced polyamide black colour;

- box quantity: 8 pieces.



On request

- Bases: In reinforced polypropylene • other colours • with prebored fixing holes.
- Spindles with: Sunk hexagon head • second wrench seat head • hexagon wrench seat • threads with other pitches and lengths.
- Box quantity: Not standard.
- Assembling of: Anti-slip pads • nuts • washers.