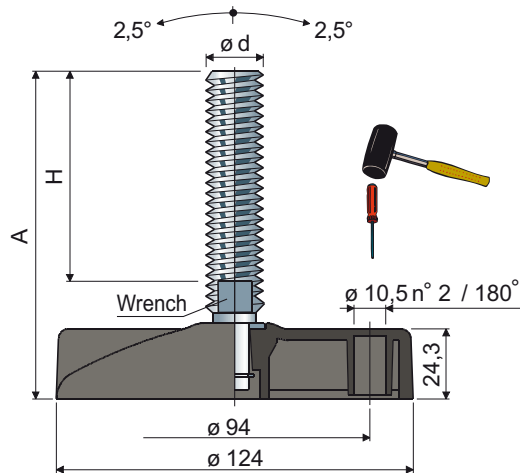


Adjustable feet

(base in reinforced polyamide)

Part. **89** Ø **124**



Spindle measures in mm				Spindle in zinc plated steel		Spindle in stainless steel AISI 304		Max static load (N)
$\varnothing d$	A	H	Wrench	Code	Code			
M16	100	58	13	89 / 7504	89 / 7505	43000		
	161	119	13	89 / 7906	89 / 7907			
	187	145	13	89 / 7166	89 / 7167			
	243	201	13	89 / 7168	89 / 7169			
M18	199	157	15	89 / 7852	89 / 7851	45000		
	152	107	17	89 / 7170	89 / 7171			
M20	180	135	17	89 / 7506	89 / 7507	47000		
	202	157	17	89 / 7172	89 / 7173			
	235	190	17	89 / 83220	89 / 83221			
	283	238	17	89 / 83222	89 / 83223			
M24	138	90	19	89 / 7174	89 / 7175	50000		
	175	127	19	89 / 7508	89 / 7509			
	210	162	19	89 / 7176	89 / 7177			
	250	202	19	89 / 83224	89 / 83225			
M30	173	125	24	89 / 7178	89 / 7179	50000		
	233	185	24	89 / 7180	89 / 7181			

Base material: Reinforced polyamide black colour.

Box quantity: 8 pieces.

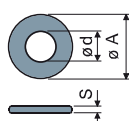
Accessories

Anti-slip pads:

- code: 7268;
- material: soft PVC 68 shore black colour;
- box quantity: 8 pieces.

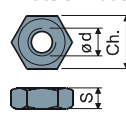


Washers UNI 6592-69 - Box quantity: 24 pieces.



$\varnothing M$	M16	M20	M24	M30
Smm	3	3	4	4
$\varnothing A$ mm	30	37	44	56
Zinc plated steel codes	7289	7290	7293	7295
Stainless steel codes	7291	7292	7294	7296

Nuts UNI 5588-65 - Box quantity: 24 pieces.



$\varnothing d$	M16	M20	M24	M30
Smm	13	16	19	24
Ch. mm	24	30	36	46
Zinc plated steel codes	7275	7276	7279	7281
Stainless steel codes	7277	7278	7280	7282

On request

- Bases: In reinforced polypropylene • other colours • with prebored fixing holes.
- Spindles with: Sunk hexagon head • second wrench seat head • hexagon wrench seat • threads with other pitches and lengths.
- Box quantity: Not standard.
- Assembling of: Anti-slip pads • nuts • washers.