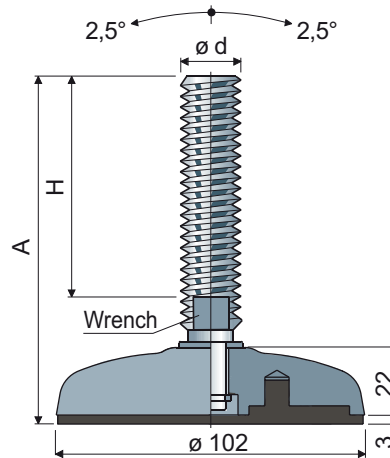


Adjustable feet

(base in nickel plated steel)

Part. **97** Ø **102**



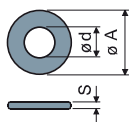
Spindle measures in mm				Spindle in zinc plated steel	Spindle in stainless steel AISI 304	Max static load (N)
$\varnothing d$	A	H	Wrench	Code	Code	
M16	101	58	13	97 / 7550	97 / 7551	50000
	162	119	13	97 / 7912	97 / 7913	
	188	145	13	97 / 7182	97 / 7183	
	244	201	13	97 / 7184	97 / 7185	
M18	200	157	15	97 / 82146	97 / 82147	51000
	153	107	17	97 / 7186	97 / 7187	
	181	135	17	97 / 7552	97 / 7553	
	203	157	17	97 / 7188	97 / 7189	
M20	236	190	17	97 / 83250	97 / 83251	52000
	284	238	17	97 / 83252	97 / 83253	
	139	90	19	97 / 7190	97 / 7191	
	176	127	19	97 / 7554	97 / 7555	
M24	211	162	19	97 / 7192	97 / 7193	52000
	250	202	19	97 / 83254	97 / 83255	

Base material: Nickel plated steel.

Box quantity: 8 pieces.

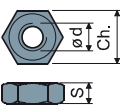
Features: The feet are complete with anti-slip pad made out of soft PVC 68 shore black colour .

Washers UNI 6592-69 - Box quantity: 24 pieces.



$\varnothing M$	M16	M20	M24
Smm	3	3	4
$\varnothing A$ mm	30	37	44
Zinc plated steel codes	7289	7290	7293
Stainless steel codes	7291	7292	7294

Nuts UNI 5588-65 - Box quantity: 24 pieces.



$\varnothing d$	M16	M20	M24
Smm	13	16	19
Ch. mm	24	30	36
Zinc plated steel codes	7275	7276	7279
Stainless steel codes	7277	7278	7280

On request

- Spindles with: Sunk hexagon head • second wrench seat head • hexagon wrench seat • threads with other pitches and lengths.
- Box quantity: Not standard.
- Assembling of: Nuts • washers.