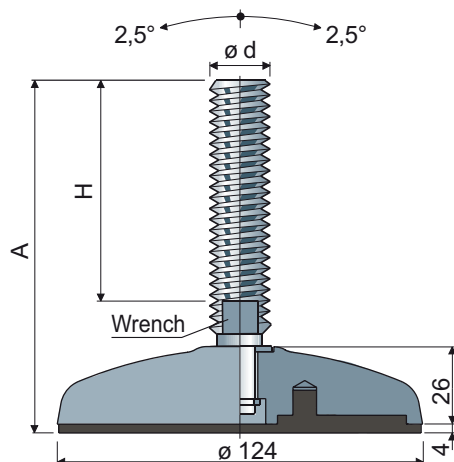


# Adjustable feet

(base in nickel plated steel)

Ø 124 Part. 99



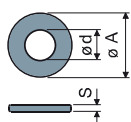
Spindle measures in mm						
ø d	A	H	Wrench	Spindle in zinc plated steel	Spindle in stainless steel AISI 304	Max static load (N)
				Code	Code	
M16	104	58	13	99 / 7556	99 / 7557	55000
	165	119	13	99 / 7914	99 / 7915	
	191	145	13	99 / 7194	99 / 7195	
	247	201	13	99 / 7196	99 / 7197	
M18	203	157	15	99 / 82148	99 / 82149	56000
	156	107	17	99 / 7198	99 / 7199	
	184	135	17	99 / 7558	99 / 7559	
M20	206	157	17	99 / 7200	99 / 7201	57000
	239	190	17	99 / 83256	99 / 83257	
	287	238	17	99 / 83258	99 / 83259	
	142	90	19	99 / 7202	99 / 7203	
M24	179	127	19	99 / 7560	99 / 7561	58000
	214	162	19	99 / 7204	99 / 7205	
	254	202	19	99 / 83260	99 / 83261	
M30	177	125	24	99 / 7206	99 / 7207	58000
	237	185	24	99 / 7208	99 / 7209	

Base material: Nickel plated steel.

Box quantity: 8 pieces.

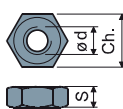
Features: The feet are complete with anti-slip pad made out of soft PVC 68 shore black colour .

Washers UNI 6592-69 - Box quantity: 24 pieces.



ø M	M16	M20	M24	M30
Smm	3	3	4	4
ø A mm	30	37	44	56
Zinc plated steel codes	7289	7290	7293	7295
Stainless steel codes	7291	7292	7294	7296

Nuts UNI 5588-65 - Box quantity: 24 pieces.



ø d	M16	M20	M24	M30
Smm	13	16	19	24
Ch. mm	24	30	36	46
Zinc plated steel codes	7275	7276	7279	7281
Stainless steel codes	7277	7278	7280	7282

On request

- Spindles with: Sunk hexagon head • second wrench seat head • hexagon wrench seat • threads with other pitches and lengths.
- Box quantity: Not standard.
- Assembling of: Nuts • washers.