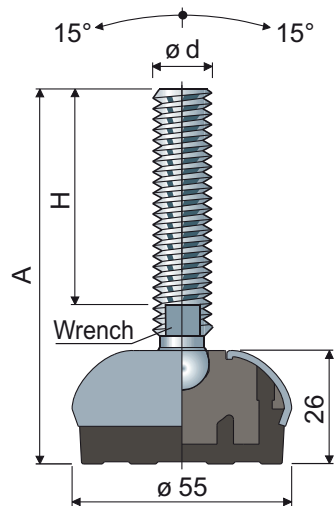


Articulated feet, sanitizable

(base in stainless steel)

Ø 55 Part. 113



Spindle measures in mm				Spindle and base in stainless steel AISI 304	
ød	A	H	Wrench	Code	Max static load (N)
M8	80	45	6	113 / 83791	11000
	100	65	6	113 / 83792	
	142	107	6	113 / 83793	
M10	71	35	8	113 / 83794	12000
	107	70	8	113 / 83795	
	152	115	8	113 / 83796	
M12	82	43	10	113 / 83797	13000
	102	63	10	113 / 83798	
	116	77	10	113 / 83799	
	132	93	10	113 / 83822	
	162	123	10	113 / 83823	
M14	102	61	12	113 / 83824	14000
	132	91	12	113 / 83825	
	157	116	12	113 / 83826	
M16	103	60	13	113 / 83784	15000
	133	90	13	113 / 83785	
	148	105	13	113 / 83786	
	168	125	13	113 / 83787	
	198	155	13	113 / 83788	
	208	165	13	113 / 83789	
	248	205	13	113 / 83790	

Spindle measures in inches				Spindle and base in stainless steel AISI 304	
ød	A	H	Wrench	Code	Max static load (N)
1/2" - 13 UNC	5,19"	4"	7/16"	113 / 83827	13000
5/8" - 11 UNC	8,70"	7"	1/2"	113 / 83800	15000
3/4" - 10 UNC	8,78"	7"	5/8"	113 / 83801	19000

Material: Internal part made of reinforced polyamide; external covering made of stainless steel AISI 304; anti-slip pad made of soft PVC 68 shore black colour.

Box quantity: 8 pieces.

Features: Comoulded anti-slip pad allows a perfect adherence with steel base. Consequent absence of internal cavities makes foot extremely cleanable.

Washers UNI 6592-69 - Box quantity: 24 pieces.

ø M	M8	M10	M12	M14	M16
Smm	1,6	2	2,5	2,5	3
ø A mm	17	21	24	28	30
Stainless steel codes	7637	7286	7287	7288	7291

Nuts UNI 5588-65 - Box quantity: 24 pieces.

ø d	M8	M10	M12	M14	M16
Smm	6,5	8	10	11	13
Ch. mm	13	17	19	22	24
Stainless steel codes	7635	7272	7273	7274	7277

On request

- Spindles with: Sunk hexagon head • second wrench seat head • hexagon wrench seat • threads with other pitches and lengths.
- Anti-slip pads: White color.
- Box quantity: Not standard.
- Assembling of: Nuts • washers.