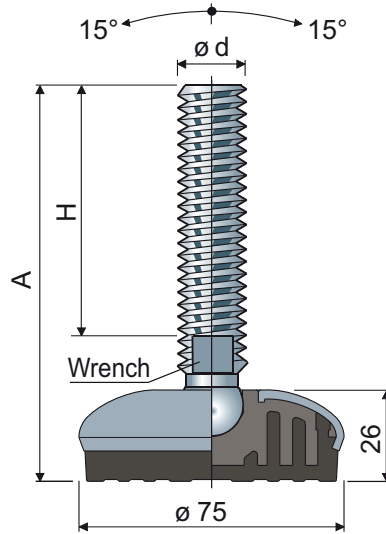


Articulated feet, sanitizable

(base in stainless steel)

Part. **107** \varnothing **75**



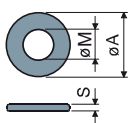
Spindle measures in mm				Spindle and base in stainless steel AISI 304		Max static load (N)
$\varnothing d$	A	H	Wrench	Code		
M16	103	60	13	107 / 83524	19000	
	133	90	13	107 / 83525		
	148	105	13	107 / 83526		
	168	125	13	107 / 83527		
	198	155	13	107 / 83528		
	208	165	13	107 / 83529		
M20	248	205	13	107 / 83530	21000	
	132	86	17	107 / 83531		
	162	116	17	107 / 83532		
	187	141	17	107 / 83533		
M24	252	206	17	107 / 83534	23000	
	142	96	19	107 / 83535		
	168	122	19	107 / 83536		
	198	152	19	107 / 83537		
	228	182	19	107 / 83538		
	346	300	19	107 / 83539		

Spindle measures in inches				Spindle and base in stainless steel AISI 304		Max static load (N)
$\varnothing d$	A	H	Wrench	Code		
5/8" -11 UNC	8,70"	7"	1/2"	107 / 83592	19000	
3/4" -10 UNC	8,78"	7"	5/8"	107 / 83593	21000	

Material: Internal part made of reinforced polyamide; external covering made of stainless steel AISI 304; anti-slip pad made of soft PVC 68 shore black colour.
Box quantity: 8 pieces.

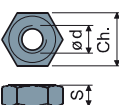
Features: Comoulded anti-slip pad allows a perfect adherence with steel base. Consequent absence of internal cavities makes foot extremely cleanable.

Washers UNI 6592-69 - Box quantity: 24 pieces.



$\varnothing M$	M16	M20	M24
Smm	3	3	4
$\varnothing A$ mm	30	37	44
Stainless steel codes	7291	7292	7294

Nuts UNI 5588-65 - Box quantity: 24 pieces.



$\varnothing d$	M16	M20	M24
Smm	13	16	19
Ch. mm	24	30	36
Stainless steel codes	7277	7278	7280

On request

- Spindles with: Sunk hexagon head • second wrench seat head • hexagon wrench seat • threads with other pitches and lengths.
- Anti-slip pads: White color.
- Box quantity: Not standard.
- Assembling of: Nuts • washers.