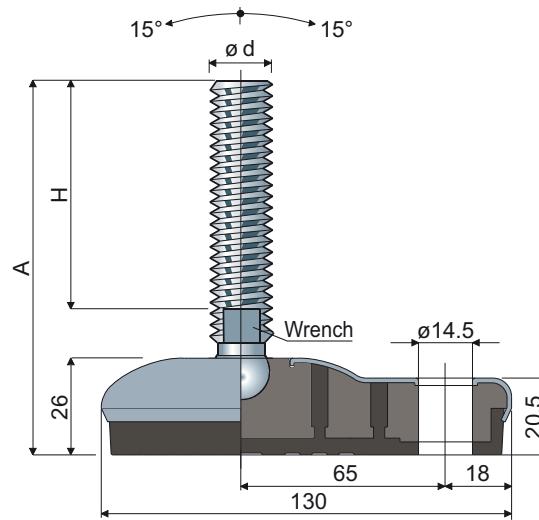


Articulated feet, sanitizable with side fixing system

(base in stainless steel)

Part. 111 95x130



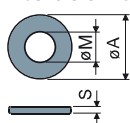
Spindle measures in mm				Spindle and base in stainless steel AISI 304		Max static load (N)
$\varnothing d$	A	H	Wrench	Code		
M16	105	60	13	111 / 83762	22000	
	135	90	13	111 / 83763		
	150	105	13	111 / 83764		
	170	125	13	111 / 83765		
	200	155	13	111 / 83766		
	210	165	13	111 / 83767		
M20	250	205	13	111 / 83768	24000	
	134	86	17	111 / 83769		
	164	116	17	111 / 83770		
	189	141	17	111 / 83771		
M24	254	206	17	111 / 83772	26000	
	143	96	19	111 / 83773		
	169	122	19	111 / 83774		
	199	152	19	111 / 83775		
	229	182	19	111 / 83776		
	347	300	19	111 / 83777		

Spindle measures in inches				Spindle and base in stainless steel AISI 304		Max static load (N)
$\varnothing d$	A	H	Wrench	Code		
5/8"-11 UNC	8,76"	7"	1/2"	111 / 83778	22000	
3/4"-10 UNC	8,84"	7"	5/8"	111 / 83779	24000	

Material: Internal part made of reinforced polyamide; external covering made of stainless steel AISI 304; anti-slip pad made of soft PVC 68 shore black colour.
Box quantity: 8 pieces.

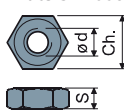
Features: Comoulded anti-slip pad allows a perfect adherence with steel base. Consequent absence of internal cavities makes foot extremely cleanable.

Washers UNI 6592-69 - Box quantity: 24 pieces.



$\varnothing M$	M16	M20	M24
Smm	3	3	4
$\varnothing A$ mm	30	37	44
Stainless steel codes	7291	7292	7294

Nuts UNI 5588-65 - Box quantity: 24 pieces.



$\varnothing d$	M16	M20	M24
Smm	13	16	19
Ch. mm	24	30	36
Stainless steel codes	7277	7278	7280

On request

- Spindles with: Sunk hexagon head • second wrench seat head • hexagon wrench seat • threads with other pitches and lengths.
- Anti-slip pads: White color.
- Box quantity: Not standard.
- Assembling of: Nuts • washers.