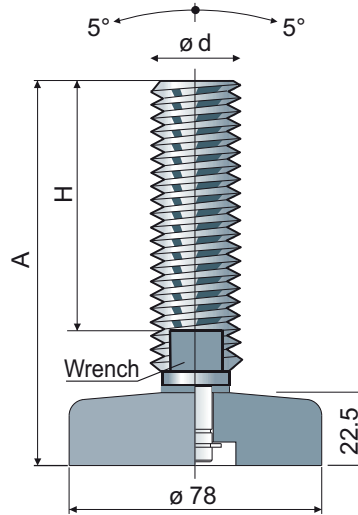


Adjustable feet, sanitizable

(Stainless steel base for important loads)

Part. **115** \varnothing **78**

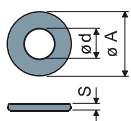


Spindle measures in mm				Wrench	Spindle and base in stainless steel AISI 304 Code	Max static load (N)
$\varnothing d$	A	H				
M16	99	58	13	115 / 83958	52000	
	186	145	13	115 / 83960		
	241	200	13	115 / 83961		
M20	148	107	17	115 / 83962		
	177	136	17	115 / 83963		
	198	157	17	115 / 83964		
	231	190	17	115 / 83965		
	279	238	17	115 / 83966		
M24	136	90	19	115 / 83967		
	173	127	19	115 / 83968		
	208	162	19	115 / 83969		
	248	202	19	115 / 83970		
M30	171	125	24	115 / 83971		
	231	185	24	115 / 83831		

Material: Spindle and base in stainless steel AISI 304.

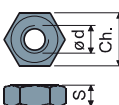
Box quantity: 8 pieces.

Washers UNI 6592-69 - Box quantity: 24 pieces.



$\varnothing M$	M16	M20	M24	M30
Smm	3	3	4	4
$\varnothing A$ mm	30	37	44	56
Stainless steel codes	7291	7292	7294	7296

Nuts UNI 5588-65 - Box quantity: 24 pieces.



$\varnothing d$	M16	M20	M24	M30
Smm	13	16	19	24
Ch. mm	24	30	36	46
Stainless steel codes	7277	7278	7280	7282

On request

- Spindles with: Sunk hexagon head • second wrench seat head • hexagon wrench seat • threads with other pitches and lengths.
- Box quantity: Not standard.
- Assembling of: Nuts • washers.