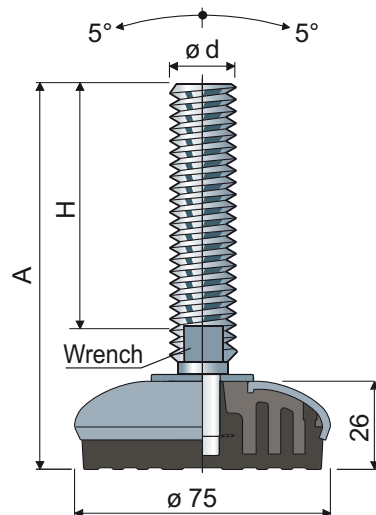


Adjustable feet, sanitizable

(base in stainless steel)

Ø 75 Part. 108



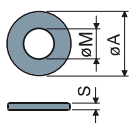
Spindle measures in mm				Spindle and base in stainless steel AISI 304		Max static load (N)
$\varnothing d$	A	H	Wrench	Code		
M12	109	70	10	108 / 83540	17000	
M14	148	108	12	108 / 83541		
M16	102	58	13	108 / 83542	24000	
	163	119	13	108 / 83543		
	189	145	13	108 / 83544		
	245	201	13	108 / 83545		
M18	201	157	15	108 / 83546		
	153	107	17	108 / 83547		
	181	135	17	108 / 83548		
M20	203	157	17	108 / 83549		
	236	190	17	108 / 83550		
	284	238	17	108 / 83551		
	139	90	19	108 / 83552		
M24	176	127	19	108 / 83553		
	211	162	19	108 / 83554		
	250	201	19	108 / 83555		
M30	174	125	24	108 / 83556		
	234	185	24	108 / 83557		

Material: Internal part made of reinforced polyamide; external covering made of stainless steel AISI 304; anti-slip pad made of soft PVC 68 shore black colour.

Box quantity: 8 pieces.

Features: Comoulded anti-slip pad allows a perfect adherence with steel base. Consequent absence of internal cavities makes foot extremely cleanable.

Washers UNI 6592-69 - Box quantity: 24 pieces.



$\varnothing M$	M12	M14	M16	M20	M24	M30
Smm	2,5	2,5	3	3	4	4
$\varnothing A$ mm	24	28	30	37	44	56
Stainless steel codes	7287	7288	7291	7292	7294	7296

Nuts UNI 5588-65 - Box quantity: 24 pieces.



$\varnothing d$	M12	M14	M16	M20	M24	M30
Smm	10	11	13	16	19	24
Ch. mm	19	22	24	30	36	46
Stainless steel codes	7273	7274	7277	7278	7280	7282

On request

- Spindles with: Sunk hexagon head • second wrench seat head • hexagon wrench seat • threads with other pitches and lengths.
- Anti-slip pads: White color.
- Box quantity: Not standard.
- Assembling of: Nuts • washers.