

Manometer

Model: P961 series – "U" type

Model: P962, P963, P964 series – Inclined type

Model: P965 series – Wall type

Spec. sheet no. PD09-09

Service intended

P960 series manometer is a pressure measuring instrument, and it measures the for calibration of all pressure instruments.
It is suitable for measuring low and vacuum pressure.



Scale range

U type : 0 ~ ±100 to 0 ~ ±600 mm

Inclined type : 0 ~ 30, 60 and 150 mm

Wall type : 0 ~ 500, 1,000 and 1,500 mm



Standard features

Pressure connection

Stainless steel (304SS)
tube connection for 8 mm

Scale plate

White aluminium with stainless steel
Black graduation
2 mm

Tube

Material : Glass
Outer diameter : 12 mm
Indiameter : 9.4 mm (P961)
5.0 mm (P962, P963, P964, P965)

Base plate

SCP2, Black painted
Option : 304SS

Working temperature

Ambient : 15 ~ 25°C
Fluid : Max. 35°C

Mounting

Surface mounting

Measuring liquid

Anti freezing liquid
Water

Option

304SS, Black painted

1. Base model

- P961** U type manometer
P962 Inclined manometer (Inclined rates, 1:2)
P963 Inclined manometer (Inclined rates, 1:5)
P964 Inclined manometer (Inclined rates, 1:10)
P965 Wall type manometer

2. Measuring liquid

- 8** Antifreezing liquid (specific gravity = 1.120)
9 Water

3. Type of mounting

- S** U type, only available with P961 series
T Inclined type, only available with P962, P963 and P964 series
U Wall type, only available with P965 series

4. Base plate material

- 0** Steel (Black painted)
1 304SS (Black painted)

5. Process connection

- M** 8 mm

6. Connection type

- K** Tube connection

7. Measuring unit

- M** mm
J kPa

8. Range

- XXX** Refer to pressure range table

9. Color

- 2** 2 colors

10. Options

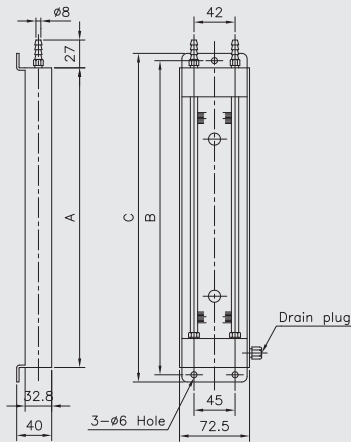
- 0** None
1 Accessories

1	2	3	4	5	6	7	8	9	10
P961	8	S	0	M	K	M	XXX	2	0

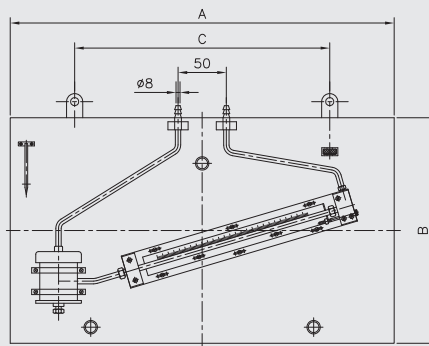
Sample
ordering code

P96X : Type of mounting

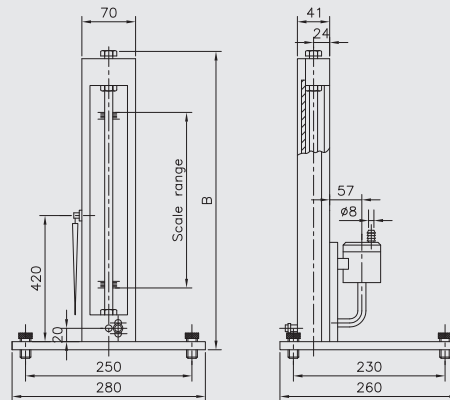
Code S (P961)



Code T (P962, P963, P964)



Code U (P965)



Dimensions (mm)

Available code	Range (mm)	A	B	C	Available code	Inclined rates	Range (mm)	A	B	C
P961 (Code S)	200mm(-100~0~100)	310	325	340	P962 (Code T)	1:2	0~30	290	300	230
	300mm(-150~0~150)	410	425	440			0~60	350	300	280
	400mm(-200~0~200)	515	530	545			0~150	600	400	400
	500mm(-250~0~250)	615	630	645	P963 (Code T)	1:5	0~30	500	300	400
	600mm(-300~0~300)	720	735	750			0~60	600	350	440
	700mm(-350~0~350)	825	840	855			0~150	1100	400	800
	800mm(-400~0~400)	925	940	955	P964 (Code T)	1:10	0~30	570	300	440
	900mm(-450~0~450)	1030	1045	1060			0~60	860	300	600
	1000mm(-500~0~500)	1130	1145	1160			0~100	1300	400	1150
1200mm(-600~0~600)	1340	1355	1370							
P965 (Code U)	-760~0		978							
	0~500		718							
	0~1000		1208							
	0~1500		1708							

Pressure range table

Order code	Nominal length (mm)	Measuring range (Water column)	Model
421	-100 ~ 100	±1 kPa	P961 (U type)
420	-150 ~ 150	±1.5 kPa	
419	-200 ~ 200	±2 kPa	
418	-250 ~ 250	±2.5 kPa	
417	-300 ~ 300	±3 kPa	
416	-350 ~ 350	±3.5 kPa	
415	-400 ~ 400	±4 kPa	
414	-450 ~ 450	±4.5 kPa	
413	-500 ~ 500	±5 kPa	
412	-600 ~ 600	±6 kPa	
508	0 ~ 30	0 ~ 0.3 kPa	
511	0 ~ 60	0 ~ 0.6 kPa	
458	0 ~ 150	0 ~ 1.5 kPa	
508	0 ~ 30	0 ~ 0.3 kPa	P964 (Inclined type)
511	0 ~ 60	0 ~ 0.6 kPa	
458	0 ~ 150	0 ~ 1.5 kPa	
026	-760 ~ 0	-7.4 ~ 0 kPa	P965 (Wall type)
465	0 ~ 500	0 ~ 5 kPa	
469	0 ~ 1,000	0 ~ 9.8 kPa	
515	0 ~ 1,500	0 ~ 14.6 kPa	