

# Process industry bimetal thermometer with adjustable stem

## Model : T190

Spec. sheet no. TD01-09

### Service intended

Bimetal thermometer is used for measuring temperature of gas or fluid. It is suitable for measurement, regulation and direct monitoring for the fluid. It meets the most stringent criteria on resistance to a corrosive atmosphere and exceptional climatic circumstances.



### Nominal diameter

75, 100, 125 and 150 mm

### Accuracy

±2.0% of full scale

### Temperature element

Coiled bimetal

### Working range

Maximum scale value



## Standard features

### Location of stem

Center back with adjustable stem

### Pointer

Black painted aluminium alloy

### Case

304SS, Adjustable on stem 90°

### Stem

6.0, 6.4, 8.0 and 10.0 mm diameter  
304SS, 316SS and 316L SS  
Max. Insertion length : 2,000 mm

### Cover

304SS

### Zero adjustment

External

### Window

Glass

### Stem connection

1/4", 3/8", 1/2", 3/4" PT, NPT and PF

### Dial

White aluminium with black graduations

### Optional

±1.0% of full scale  
Window : Safety glass  
Special range : 0 ~ 700°C

## Main order

## Ordering information

### 1. Base model

**T190** Process industry bimetal thermometer with adjustable stem

### 2. Nominal diameter (mm)

- 3 75
- 4 100
- 5 125
- 6 150

### 3. Type of mounting

- Y Center back with adjustable stem

### 4. Stem material

- 0 304SS
- 1 316SS
- 2 316L SS

### 5. Stem, process connection

- A None
- C ¼"
- D ⅜"
- E ½"
- F ¾"
- G 1½S (Sanitary only)
- H 2S (Sanitary only)
- I 2½S (Sanitary only)

### 6. Stem connection type (CF: Compression fitting)

- A None
- B PF
- C PT
- D NPT
- E CF + PT
- F CF + NPT
- G CF + PF
- H MT + PT (Movable thread)
- I MT + NPT (Movable thread)
- J MT + PF (Movable thread)
- S Clamp (Sanitary type flange)

### 7. Stem outer diameter (mm)

- 0 6.0
- 1 6.4
- 2 8.0
- 3 10.0 (Not available process connection, ¼")

### 8. Range

**XXX** Refer to scale range table

### 9. Insertion length

**X** Refer to insertion length table

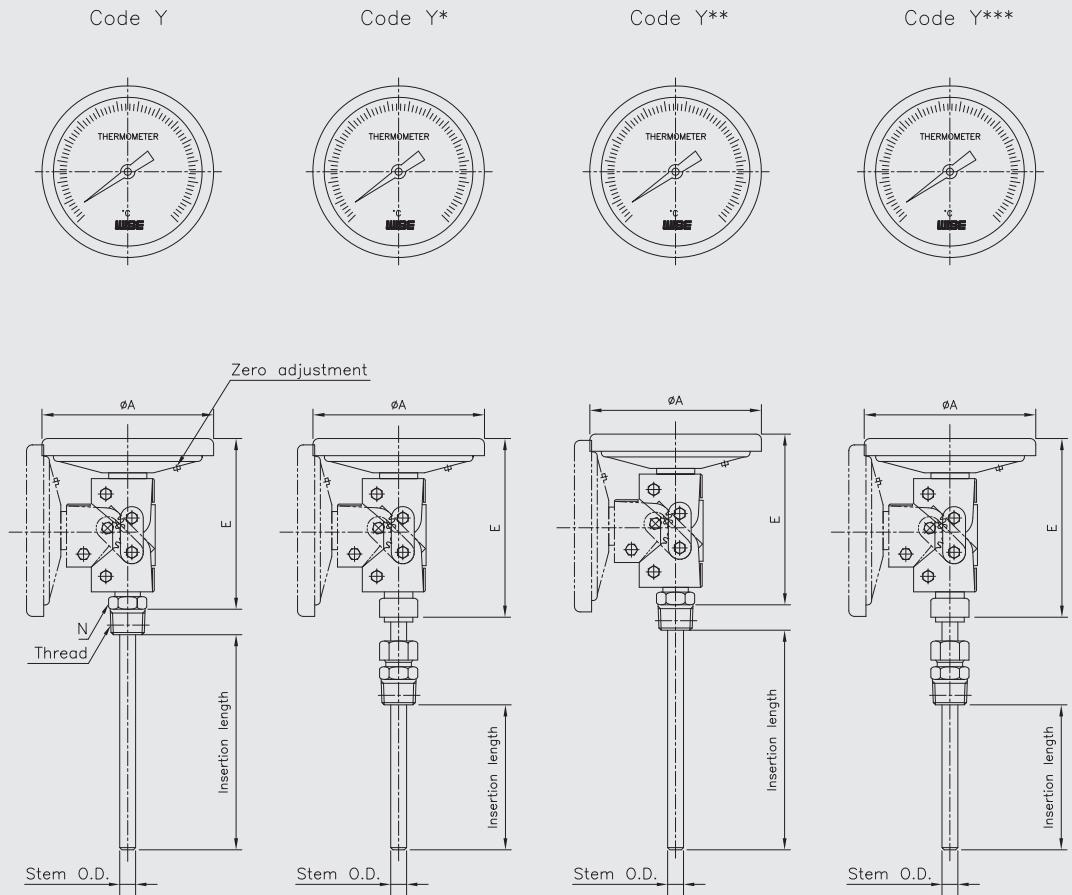
### 10. Accessories

- 0 None
- 1 Thermowell
- 2 Special accuracy (±1.0% of full scale)
- 3 Thermowell and special accuracy

1	2	3	4	5	6	7	8	9	10
T190	4	Y	0	E	C	1	XXX	X	1

Sample ordering code

## T190 : Type of mounting



Dimensions (mm)

Dial Size	Available code	A	E $\pm$ 2	N
75	Y	86.5	101	22x25.4 HEX
	Y*	86.5	99	22x25.4 HEX
100	Y	111	105	22x25.4 HEX
	Y*	111	103	22x25.4 HEX
125	Y	137.5	103	22x25.4 HEX
	Y*	137.5	101	22x25.4 HEX
150	Y**	169.5	132	22x25.4 HEX
	Y***	169.5	130	22x25.4 HEX

## Scale ranges

Code	Scale range (°C)	Scale spacing (°C)	Minimum stem length (mm)	
			6.0 and 6.4	8.0 and 10.0
032	-50 ~ 50	2	55	50
037	-50 ~ 100	2	45	35
054	-30 ~ 50	2	70	60
059	-30 ~ 100	2	50	45
061	-30 ~ 120	2	45	35
069	-20 ~ 50	2	80	70
074	-20 ~ 100	2	45	45
079	-20 ~ 150	5	40	35
084	-10 ~ 50	1	95	80
099	0 ~ 50	1	110	70
100	0 ~ 60	1	95	80
101	0 ~ 70	2	80	60
102	0 ~ 80	1	70	55
104	0 ~ 100	2	55	50
106	0 ~ 120	2	50	45
109	0 ~ 150	2	45	35
114	0 ~ 200	5	35	35
119	0 ~ 250	5	35	30
124	0 ~ 300	5	35	25
129	0 ~ 350	5	30	25
134	0 ~ 400	5	80	65
144	0 ~ 500	10	70	60
154	0 ~ 600	10	70	60
164	0 ~ 700	10	70	60

## Insertion length

Code	1	2	3	4	5	6	7	8	9	A	B	C
Length (mm)	50	60	70	80	100	120	130	150	175	200	225	250

Code	D	E	F	G	H	J	K	L	M	N	P
Length (mm)	275	300	350	375	400	450	500	550	1,000	1,500	2,000