

Ball type sight glass

Model : S300 series

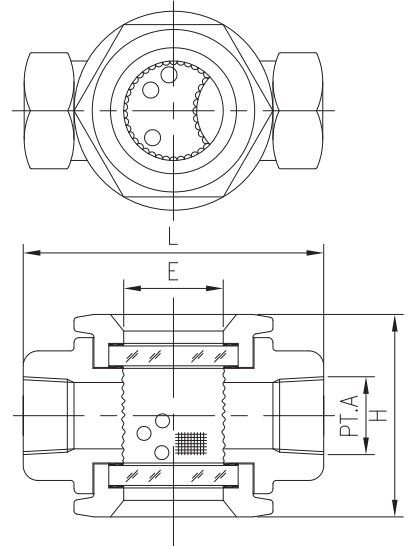
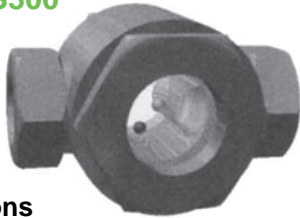
Spec. sheet no. SD03-01

Description

Sight glass with balls can check the fluid flow by observing motion of balls.



Model : S300



Connections

Screwed end

Max. pressure

2.9 MPa

Max. temperature

100°C

Glass

Tempered

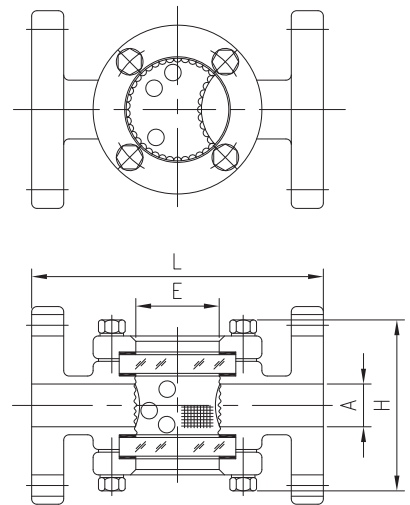
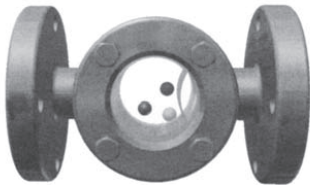
Body material

A216 WCB
A351 CF8
A351 CF8M
A106 Gr.B

Dimension

| Size A(") | L | H (Approx.) | E |
|-----------|-----|-------------|----|
| 8 (¼) | 100 | 70 | 30 |
| 10 (⅜) | 100 | 70 | 30 |
| 15 (½) | 120 | 95 | 40 |
| 20 (¾) | 120 | 95 | 40 |
| 25 (1) | 130 | 115 | 50 |
| 32 (1¼) | 145 | 130 | 65 |
| 40 (1½) | 145 | 130 | 65 |
| 50 (2) | 160 | 140 | 80 |

Model : S310



Connections

Flanged end

Max. pressure

2.9 MPa

Max. temperature

100°C

Glass

Tempered

Body material

A216 WCB
A351 CF8
A351 CF8M
A106 Gr.B

Dimension

| Size A(") | L | H (Approx.) | E |
|-----------|-----|-------------|-----|
| 15 (½) | 155 | 125 | 40 |
| 20 (¾) | 155 | 125 | 40 |
| 25 (1) | 170 | 135 | 50 |
| 32 (1¼) | 200 | 155 | 65 |
| 40 (1½) | 200 | 155 | 65 |
| 50 (2) | 220 | 170 | 75 |
| 65 (2½) | 270 | 205 | 105 |
| 80 (3) | 270 | 205 | 105 |
| 100 (4) | 320 | 235 | 130 |
| 125 (5) | 380 | 280 | 170 |
| 150 (6) | 420 | 330 | 200 |
| 200 (8) | 500 | 380 | 260 |

1. Base model

| | |
|-------------|---------------------------------|
| S300 | Ball type (Screwed) sight glass |
| S310 | Ball type (Flanged) sight glass |

2. Line size

| JIS | mm | ANSI | inch | DIN | mm |
|-------------|------|-------------|-------|-------------|------|
| J015 | 15A | A001 | ½B | D015 | 15A |
| J020 | 20A | A002 | ¾B | D020 | 20A |
| J025 | 25A | A003 | 1B | D025 | 25A |
| J040 | 40A | A004 | 1½B | D040 | 40A |
| J050 | 50A | A005 | 2B | D050 | 50A |
| J065 | 65A | A006 | 2½B | D065 | 65A |
| J080 | 80A | A007 | 3B | D080 | 80A |
| J100 | 100A | A008 | 4B | D100 | 100A |
| J125 | 125A | A009 | 5B | D125 | 125A |
| J150 | 150A | A010 | 6B | D150 | 150A |
| J200 | 200A | A011 | 8B | D200 | 200A |
| | | OXXX | Other | | |

3. Glass material

| | |
|----------|----------|
| T | Tempered |
| O | Other |

4. Flange rating code

| JIS | | ANSI | | PN | |
|-------------|---------|-------------|-------------|-------------|--------|
| J010 | JIS 10K | A010 | ANSI 150 Lb | P010 | 10 bar |
| J020 | JIS 20K | A020 | ANSI 300 Lb | P016 | 16 bar |
| XXXX | None | OXXX | Other | | |

5. Screwed connection

| | |
|----------|---------|
| A | NPT (F) |
| J | PT (F) |
| N | None |

6. Gaskets material

| | |
|----------|--------------|
| N | Non-asbestos |
| T | Teflon |
| O | Other |

7. Body material

| | |
|----------|-------------------------|
| C | Carbon steel (A216 WCB) |
| 4 | 304SS (A351 CF8) |
| 6 | 316SS (A351 CF8M) |
| O | Other |

| | | | | | | |
|------|------|---|------|---|---|---|
| 1 | 2 | 3 | 4 | 5 | 6 | 7 |
| S300 | A007 | T | A010 | N | T | 4 |

Sample ordering code