

---

## Head Mounting Type Temperature Transmitter Model : T910 Series (Head Mounting Type)

**WISE**®

### Advantages

- Two wire 4~20mA current output signal
- RTD input
- Measuring ranges from -50 to 400
- Fixed Range
- Excellent accuracy and long term stability
- Low - cost
- Miniature design

### Applications

These are recommended in applications requiring amplification of RTD signals to carry to a long distance or guard against heavy field electrical noise. The transmitter converts RTD inputs to an analog signal for direct interface with indicators, recorders, controllers, PLC, DCS systems can be used for a wide range of applications in process control, automatic machinery and hydraulic or pneumatic system design.



T910

### Descriptions

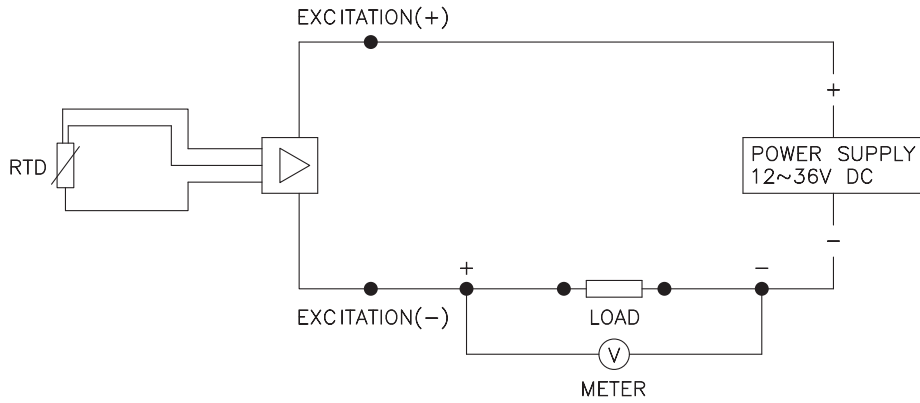
T900 series temperature transmitters are designed to fit into standard molded terminal heads used on RTD assemblies to provide a 4~20mA transmission signal. It is a cost effective solution for all temperature measurement and accurate, durable and reliable.

Numerous configurations for measurement in many different mediums are offered. Generally the transmitter produces a linear 4~20mA output carried on a two-wire system. The transmitter is supplied factory calibrated, but also has zero and span potentiometers for field adjustment or calibration.

# Specification

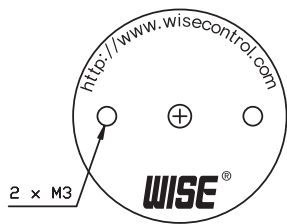
Input		
Measuring range	PT100 ohm, JIS-C-1604-1981	
Output		
	Current output	
Electrical connection type	2-wire technique	
Full scale output signal	20mA $\pm$ 0.2%	
Zero measured output	4mA $\pm$ 0.03%	
	Other output signals available on request	
Electrical Specification		
Excitation voltage	12~36V DC	
Load resistance max@24V	500 $\Omega$ at 24V	
Influence of excitation	0.01% FSO/V	
Burnout	Upscale(approx. 23mA DC) or downscale(approx. 4mA DC)	
Reverse polarity	Protected	
Shock resistance	No change in performance after 10Gs for 11ms	
Vibration	5g (10~2000Hz)	
Response time(10~90%)	$\pm$ 0.5 seconds	
Adjustment range	$\pm$ 15% FSO/zero and span	
Performance Specification		
Accuracy	$\pm$ 0.2% FSO	
Non-Linearity	Better than 0.10% FSO	
Repeatability	Better than 0.05% FSO	
Long term stability	Better Than 0.05% FSO per month	
Cutoff frequency(-3 d B)	$\pm$ 2kHz	
Ambient temperature limits	-20~70°C	
Ambient humidity limits	5 to 100% R.H	
Physical Specification		
Material	Case	Stannum (Sn)
	Cover	ABS resin
Dimension	39.5(W) x 16(H)	
Mounting	2 x M3 Screw	
Weight	54.9g	

## System connection for 2-wire transmitter

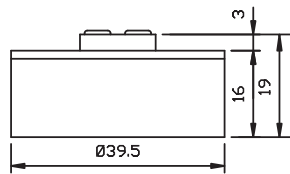


## Dimension(mm)

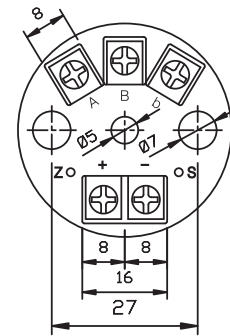
## Electrical connection



REAR VIEW

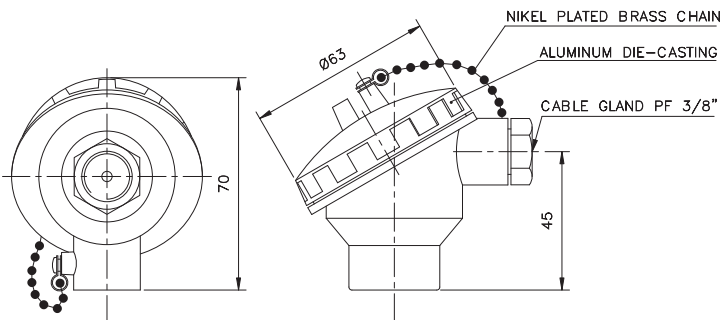


SIDE VIEW

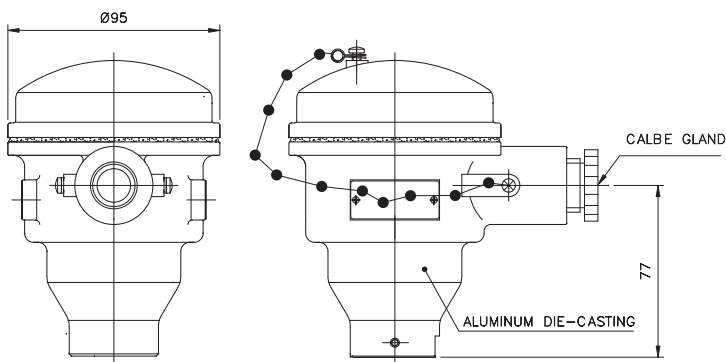
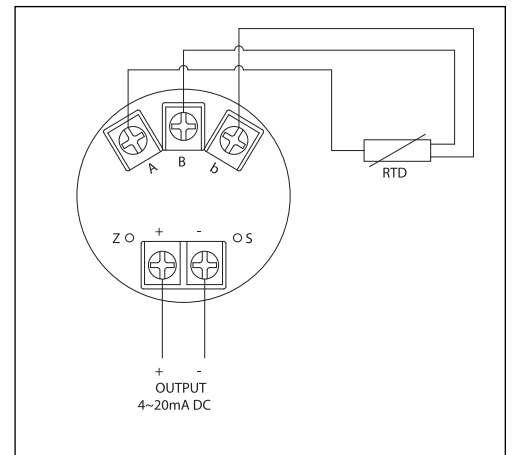


FRONT VIEW

### Transmitter



Option/General Connection Head



Option/Explosion Proof Connection Head

## Ordering Information

### Head Mounting Type Temperature Transmitter

T910											0~100°C
T915											0~150°C
T920											0~200°C
T950											None standard range
	N										Non-option
	G										Option / General connection head
	E										Option / Explosion proof connection head

T910	N	0	0	0	0	0	0	0	0	0	Sample ordering code
------	---	---	---	---	---	---	---	---	---	---	----------------------

Specifications subject to change without notice