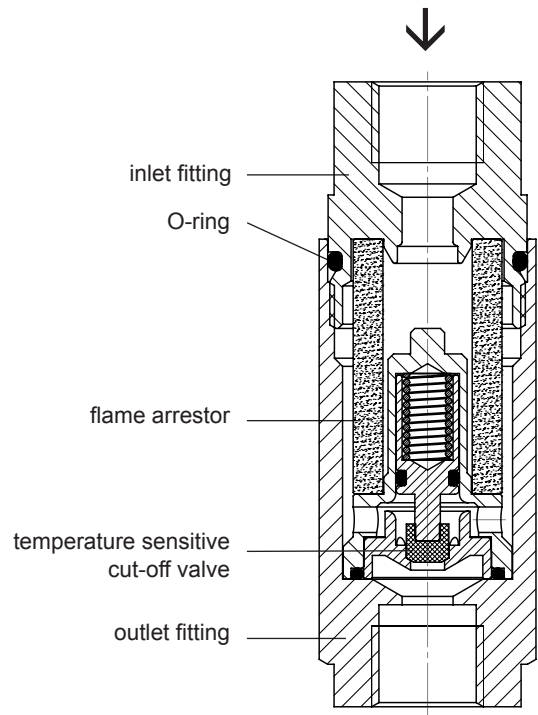


# FLASHBACK ARRESTOR F53N/HHO



**WITT Flashback Arrestors F53N/HHO for reliable protection against dangerous flashbacks at application of hydrogen-oxygen mixtures.**

**Every Arrestor 100% tested.**

## Benefits

- compact design
- a large surface area flame arrester [FA] of stainless steel construction extinguishes any dangerous flashback from a stoichiometric composition of a hydrogen-oxygen mixture which is entering the device in any direction
- a temperature sensitive cut-off valve [TV] extinguishes sustained flashbacks long before the internal temperature of the arrestors reaches a dangerous level
- low life cycle costs
- may be mounted in any position / orientation
- compact size for easy, problem free installation

## Operation / Usage

- the fitting protects against flashbacks and backfire at gas extraction by electrolysis for example micro soldering- and welding units (MLS-units) according to DIN 32508 No. 5.8.2 and No. 5.8.3. The small and compact design of the safety device is for use in pipelines.

## Approvals

Company certified according to ISO 9001

**Other models, options and accessories available upon request.**

Application	Materials	Temperature	max. working pressure	Connections	Order No.
Flame arrester Safety device with multiple function	Housing – Brass; Flame arrester – Stainless steel Seal – Elastomer	max. 50 °C	0.5 bar	G 1/4 F	145-276

# FLASHBACK ARRESTOR F53N/HHO



## F53N/HHO

