

# SAFETY RELIEF VALVE SV805 / 805A

7.27 up to 652.6 PSI



Spring loaded, direct acting safety relief valve for venting excess pressure from receivers, pipelines and other equipment.

### Benefits

- according to PED 97/23/EC, category IV, Module B and D
- individual opening pressure
- TÜV-certification of pressure setting
- available in brass or stainless steel (ES)
- sealing material to suit gas or customer request
- compact size for easy, problem free installation
- range of inlet connections
- with / without condensation outlet
- protective dust cap
- SV805A (manual ventilation), for checking of safety function
- adapter for connection to ventilation pipe

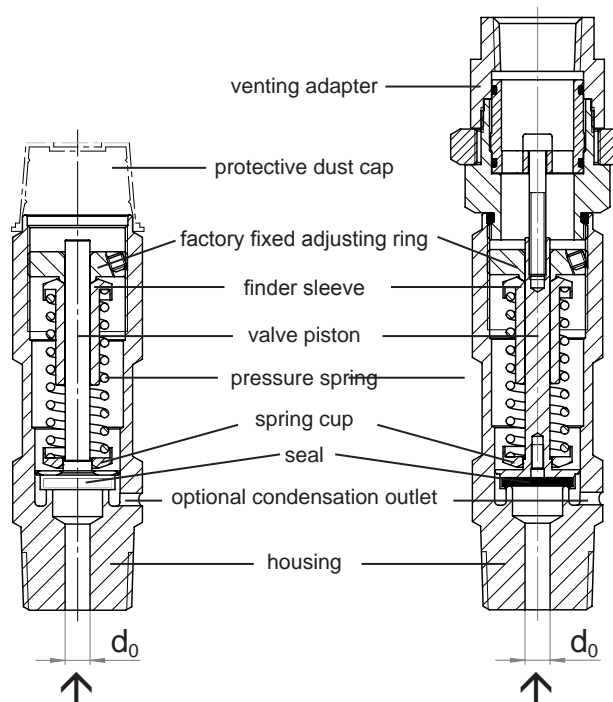
### Approvals

Manufactured and certified according to EN ISO 4126-1  
 Company certified according to ISO 9001  
 and PED 97/23/EC Module H  
 CE-marked according to:  
 - PED 97/23/EC  
 Cleaned for Oxygen Service according to:  
 - EIGA IGC Doc 13/12/E: Oxygen Pipeline and Piping Systems

Other models, options and accessories available on request.

Please identify the individual gases, temperature, opening pressure, inlet connection and with or without condensation outlet at the time of enquiring!

	SV805	SV805A
Manual ventilation	–	X
Opening pressure	from 7.25 up to 652.6 PSI	
Gases	all technical gases	
Material	housing and metal turned parts made of brass or stainless steel, pressure spring made of stainless steel, valve seal considering to the gas	
Width across flats	1.06 inch	
Weight	approx. 0.57 lb	approx. 1.46 lb
Marking	CE0045 TÜV*SV*13-931	
Drill hole (d <sub>0</sub> )	0.24 inch at 7.25 up to 362.6 PSI 0.26 inch at > 362.6 up to 652.6 PSI	
Temperature range	-76 °F up to approx. +302 °F (in accordance to gas and valve sealing)	
Adapter	for connection to ventilation pipe at the outlet	–



# SAFETY RELIEF VALVE SV805 / 805A

## 7.27 up to 652.6 PSI



Flow capacity for air at 73.4 °F (valid only for atmospheric back pressure)

Opening pressure	[PSI]	7.25	14.5	29	43.5	58	72.5	87	101.5	116	130.5	145	159.5
Volume flow	[SCFH]	554	830	1268	1706	2140	2578	3016	3450	3888	4319	4757	5191
Opening pressure	[PSI]	174	188.5	203	217.5	232	246.6	261	275.6	290	304.6	319	333.6
Volume flow	[SCFH]	5629	6064	6501	6939	7409	9203	9715	10231	10746	11262	11774	12290
Opening pressure	[PSI]	348	362.6	377	391.6	406	420.6	435	449.6	464	478.6	493	507.6
Volume flow	[SCFH]	12802	13261	13773	14285	14797	15305	15821	16330	16842	17357	17866	18378
Opening pressure	[PSI]	522	536.6	551	565.6	580	594.6	609	623.6	638	652.6		
Volume flow	[SCFH]	18890	19402	19914	10426	20938	21450	21962	22471	22986	23495		

Version	Overall length [inch]		Inlet male thread (M)	Outlet female thread (F)	
	SV805	SV805A		SV805	SV805A
Brass	3.54	5.39	G 1/4; 1/4" NPT G 3/8; 3/8" NPT M16 x 1.5; M18 x 1.5	M24 x 1	1/2" NPT
	3.74	5.59	G 1/2; 1/2" NPT G 3/4; 3/4" NPT M20 x 1.5		
Stainless steel (ES)	3.80	5.65	G 1/4; 1/4" NPT; 1/4" VCR G 3/8; 3/8" NPT; 3/8" VCR M16 x 1.5; M18 x 1.5		
	4.00	5.85	G 1/2; 1/2" NPT; 1/2" VCR G 3/4; 3/4" NPT M20 x 1.5		

Adapter (for SV805) for connection to ventilation pipe at the outlet

Version	Adapter with O-ring seal	Order no.
Brass	M24 x 1 M - 1/2" NPT F	801413600K
	M24 x 1 M - 3/4" NPT F	802124900K
	M24 x 1 M - G 1/2 M with cone	802069800K
Galvanised steel	M24 x 1 M - 1/2" NPT F	801413703K
Stainless steel (ES)	M24 x 1 M - 1/2" NPT F	801727800K