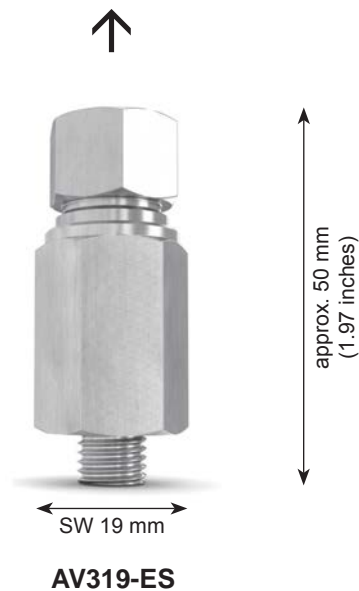


SAFETY RELIEF VALVE AV319

10 up to 80 mbar



Spring loaded, direct acting safety relief valve for venting excess pressure from receivers, pipelines and other equipment.

Every safety relief valve 100% tested.

Benefits

- individual opening pressure
- TÜV-certification of pressure setting (optional)
- available in brass or stainless steel (ES)
- sealing material to suit gas or customer request
- compact size for easy, problem free installation
- free of oil and grease

Approvals

Company certified according to ISO 9001 and PED 97/23/EC Module H

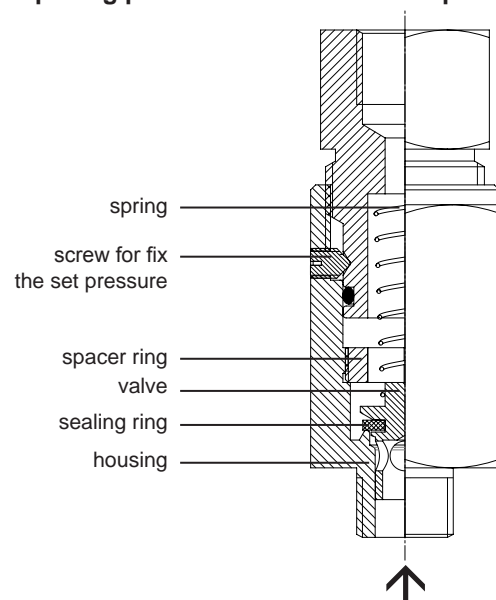
Cleaned for Oxygen Service according to:

- EIGA IGC Doc 13/12/E: Oxygen Pipeline and Piping Systems

Other models, options and accessories available upon request.

Please identify the individual gases, temperature and opening pressure at the time of enquiring!

	AV319
Opening pressure	from 10 up to < 80 mbar
Gases	all technical gases
Material	housing and metal turned parts made of brass or stainless steel, pressure spring made of stainless steel, valve seal corresponding to the gas
Width across flats	19 mm
Weight	approx. 83 g
Connections	G1/8
Marking	WITT AV*319 50 mbar PN16 Art.-No. date of manufacture
Temperature range	-40 °C up to approx. +200 °C (in accordance to gas and valve sealing)



SAFETY RELIEF VALVE AV319

10 up to 80 mbar



**Flow capacity for air and closing pressure at 20 °C / 68 °F
(valid only for atmospheric back pressure)**

Standard reference conditions: 0 °C/32 °F / 1013.3 mbar

Flow capacity at $p = 2 \times p_e$ [Nl/min]

p_e = Setting pressure

Connection G 1/8

p_e Setting pressure [mbar]	10	30	50	65	80
Flow capacity [l/min]	0.46	9.1	16.3	18.9	22.6
Closing pressure in % of p_e	57	62	72	73	77

other connections available on request