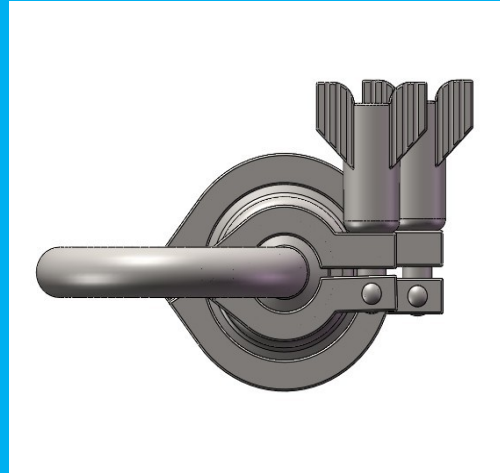
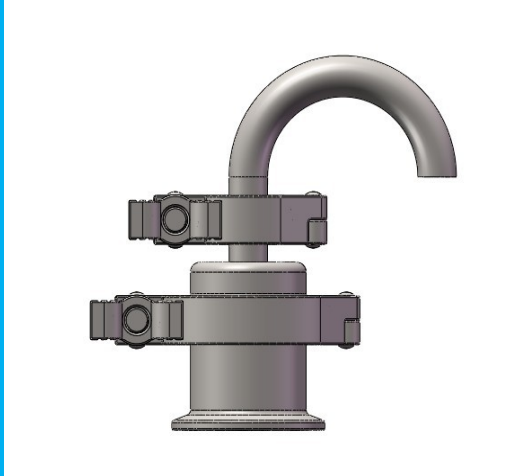


SANITARY SOLUTIONS^{INC.}

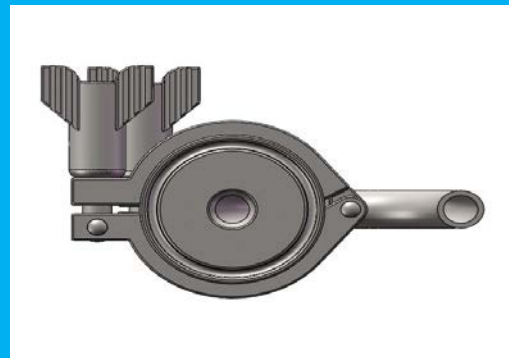
Bulldog Valves...Bulldog Tough.TM

T304 Air Relief Valve



Easy Assembly without tools

Ball/Gaskets Replaceable



Features of the T304 Air Relief Valve

Stocking the 1.5" & 2" with 180° Elbow

Valve seals for vacuum and pressure

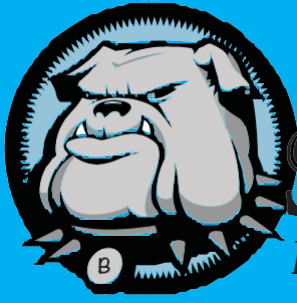
PSI: 140 Maximum

Operating temperature: 210°F (maximum)

Polypropylene Valve Ball is standard—PTFE is available

No special tools

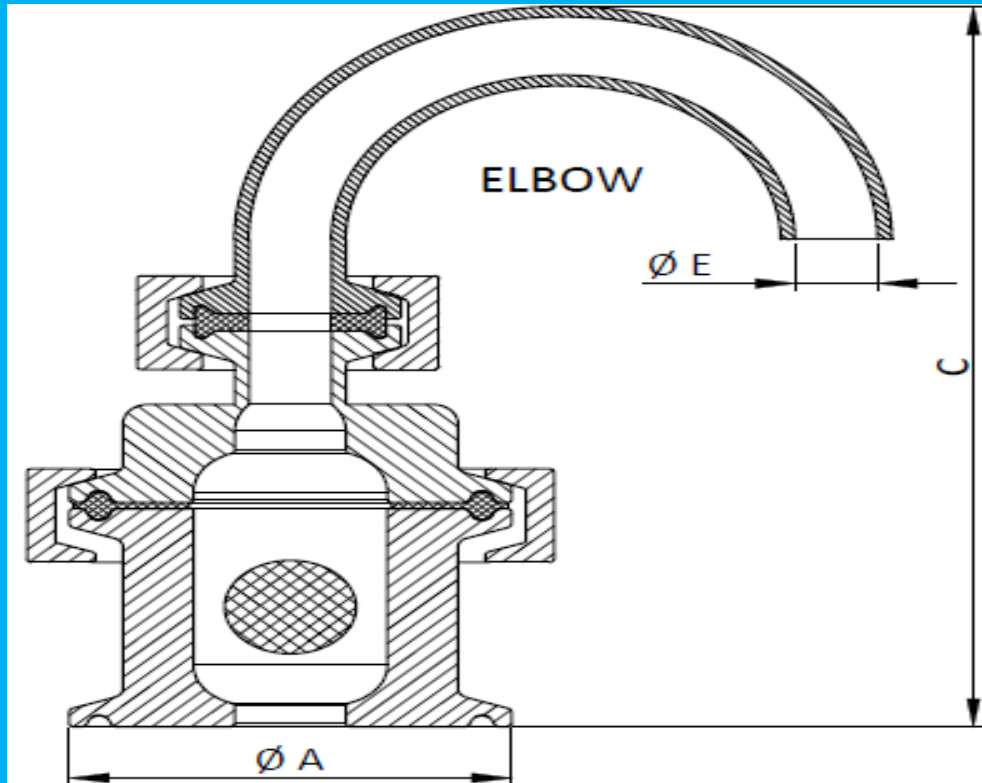
1-888-909-3569 or 1-855-640-7871



SANITARY SOLUTIONS^{INC.}

Bulldog Valves...Bulldog Tough.TM

T304 Air Relief Valve Dimensions



Tube OD Size	<u>A</u>	<u>C</u>	<u>E</u>
1.5"	2.516"	4.488"	0.370"
2"	3.047"	4.488"	0.370"

"Air Relief Valve" PART NUMBER EXAMPLE WHEN ORDERING:

SSARV-SIZE-304

**E-Mail Confirmation with Tracking Number to you
"Live" People Answering your call**