

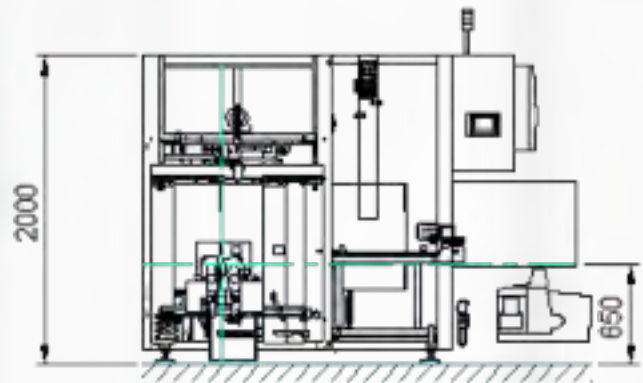
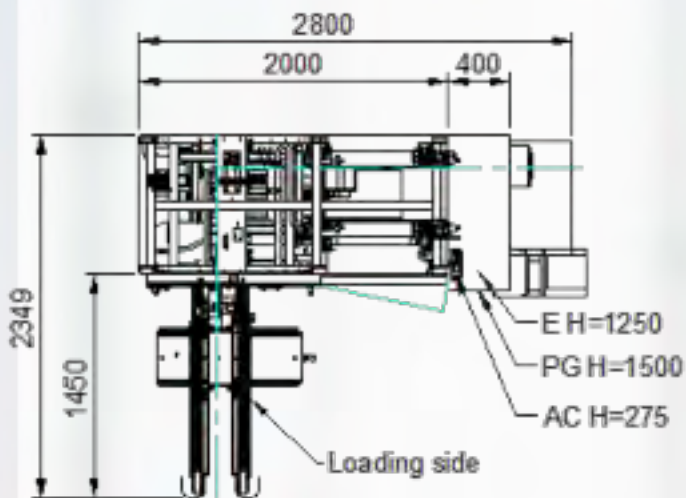
F312

Vertical Case Erector for American cases (RSC or HSC)



- Best compactness/price/performance ratio currently available on the market
- Positive erecting and flap folding, up to 30 cases per minute
- Guaranteed case squaring and sealing
- Sealing by Hot-melt or adhesive tape
- Format changeover in less than 2 minutes
- Reduced footprint: under 4m²





Compact machine. In-line or a 90° configuration. Mirrored machine available



RSC case characteristics

- Normal flaps: FEFCO 0201 & 0200
- Simple fluted cardboard: type E, B, C
- Length (L): 200 / 500 mm
- Width (B): 150 / 340 mm
- Height (H + Rd*): 150 / 520 mm (Rd = Top flap)
- Flap (R): 75 / 170 mm

Variants / Options

- Adhesive tape Sealing: 50 mm width
- Hot Melt Sealing
- Combined Hot-melt and adhesive tape sealing
- Nordson ProBlue 4 (Liberty® option available)
- Handling of double fluted cardboard
- Detection of unglued flaps
- Siemens or Rockwell Systems
- HMI: 6 or 7" touchscreen



First in line

Cermex
87, route de Seurre - B.P.3 - 21910 Corcelles-lès-Cîteaux - France
Tél. : +33 (0) 380 707 100

Gebo Cermex Headquarters
Rue du Commerce, CS 73455 Reichstett - 67455 Mundolsheim - France
Tél. : +33 (0) 388 183 850

■ contact.us@gebocermex.com

■ www.gebocermex.com



CERMEX