

VACUUM INDEX SYSTEM

VIS



VACUUM INDEX SYSTEM

VIS-XXX-YYY-Z TECHNICAL SPECIFICATION

Solid Models Available Online

Reduce the risk of damage to your product with our vacuum transfer system.

AZCO's vacuum index system is ideally suited for handling materials where only one surface can be contacted. The vacuum index system is a complete system which includes a transfer section, a vacuum generating station, and precision drive package. Together, this module is able to handle different width materials. The material is vacuum-held onto a transfer belt which is a continuous, smooth urethane belt with vacuum ports. The structured transfer system comes in different widths and lengths and different mounting arrangements for easy installation into your process or into your equipment. A vacuum system is sized for your transfer device and material; all you have to do is plug it in.

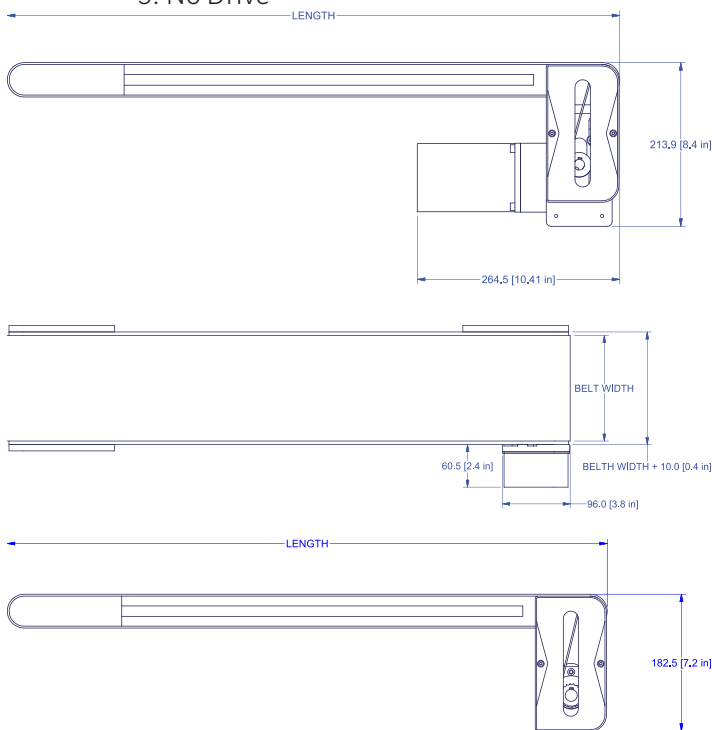
HOW TO ORDER

XXX = Length in mm

YYY = Width in mm

Z = Drive (choose one below)

1. Servo
2. Non-Servo
3. No Drive



BENEFITS

- High precision indexing of materials
- Indexing to precision lengths or speeds
- Compact in size
- Low profile transfer station fits in tight spaces
- Urethane continuous belt with vacuum ports
- No marking or marring on materials
- Integrated vacuum system
- Modular in design to give you the specific size and unit you need
- Ideal in many environments, including industrial environments, food and medical device industries

MATERIALS

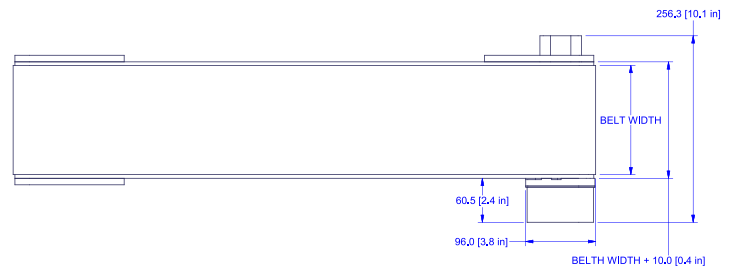
- Adhesive based materials
- Precision foils or films where only one surface contact would be possible
- Reflective or lens quality materials where contacting two surfaces would damage or degrade the material
- Materials where contact on both surfaces would actually change the thickness or characteristics of the material.

SPECIFICATIONS

- Precision indexing is available by servo motor drives, servo stepper or variable speed motor drive packages, or just a plain output shaft
- Drive can be connected off of your existing process or machine
- Clean surface, clear anodized aluminum frame structure
- Power requirements: 110 V AC or 230 V AC 50/60 Hz

OPTIONS

- Unwind stations
- Optic packages for sensing material going in and out of the station
- Cut-off modules that could be added to it
- Slitter stations that could be added to the process
- Stands and mounts for easy bolt-on installation
- Optic registration where indexing to a specific mark, print or location is critical
- Custom sizes and designs are available to meet your specific application



WARNING:

EQUIPMENT MUST BE GUARDED IN ACCORDANCE WITH ALL FEDERAL, STATE, AND LOCAL REQUIREMENTS



visit us online!



FOR ALL YOUR FEEDING AND CUTTING NEEDS

26 Just Road, Fairfield, NJ, 07004 | 973-439-1428 | azcocorp.com