

Bourdon Tube Pressure Gauges with Switch Contacts Stainless Steel Case Type PGS11

WIKA Datasheet PGS11

Applications

- Pressure gauge for indicating and monitoring the pressure in tanks and for signalling possible leaks
- Pressure gauge for use in gas extinguishing systems
- General industrial applications

Special features

- High switching reliability and long service life
- Design per ASME B40.100 and EN 837-1
- Adjustable contact between 10 and 90% of the scale range

Standard Features

Design

ASME B40.100 & EN 837-1

Sizes

1½" or 2" (40 or 50 mm)

Accuracy class

± 2/1/2% of span (ASME B40.100 Grade A)

Switch point tolerance

± 2.5% of span

Ranges

1½": 0/30 to 0/6000 PSI

2": 0/15 to 0/6000 PSI

or other equivalent units of pressure or vacuum

Working range

Steady: 3/4 x full scale value

Fluctuating: 2/3 x full scale value

Short time: full scale value

Operating temperature

Ambient: -40°F to +140°F (-40°C to +60°C)

Medium: +140°F (+60°C) maximum



intelliGAUGE Type PGS11

Temperature error

Additional error when temperature changes from reference temperature of 68°F (20°C) ±0.4% for every 18°F (10°C) rising or falling. Percentage of span.

Connection

Material: Copper alloy

Lower mount (LM) or center back mount (CBM)

Bourdon tube

Material: Copper alloy

≤ 1000 PSI, C-type

> 1000 PSI, helical-type

Movement

Copper alloy

Dial

White aluminum with black lettering

Pointer

Black plastic

Case

Stainless steel

Window

Polycarbonate

Weather protection

NEMA 4X / IP 54

Helium leak test

Leak rate 10^{-5} mbar \cdot l/s

Electrical data

Switching voltage: 4.5 to 24 VDC/VAC
Switching current: 5 to 100 mA
Contact load: max. 2.4 W
Switching contact: breaks (NC-normally closed), or makes (NO-normally open) (adjustable between 10 and 90% of the scale range)

Potential-free relay

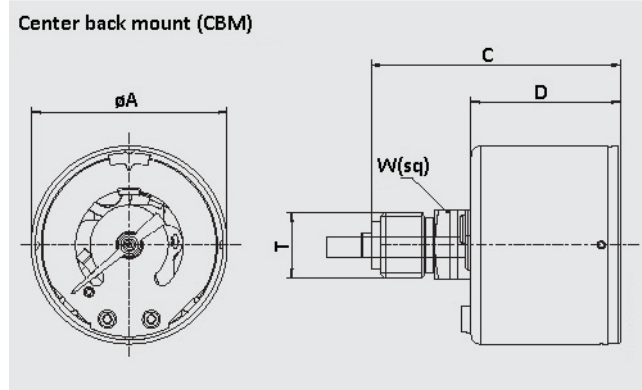
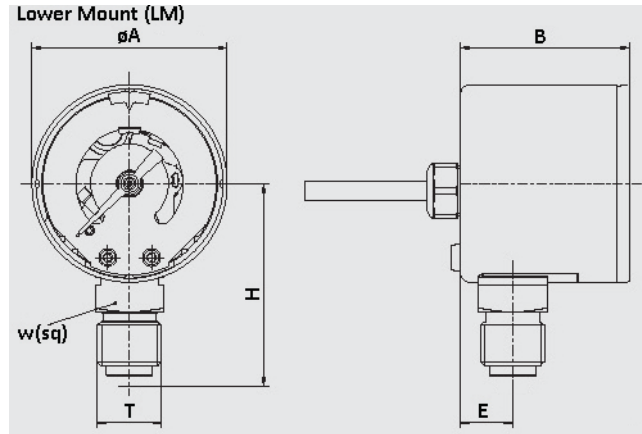
Electrical connection

Flying leads or plug

Optional extras

- Other threaded process connection, male or female
- Weather protection NEMA 6 / IP 65 (Type PGS21)
- Double contact
- Custom dial layout
- Other pressure scales available
bar, kPa, MPa, kg/cm 2 and dual scales

Dimensions



Size		A	B	C	D	E	T	W	Weight
1½"	mm	40	34.5	51	30.5	14		14	0.10 kg
	in	1.57	1.36	2.0	1.2	0.55	1/8"	0.55	0.22 lb
2"	mm	50	35.5	53.5	35.5	14		14	0.12 kg
	in	1.97	1.4	2.11	1.4	0.55	1/4"	0.55	0.26 lb

Ordering information

Pressure gauge model / Nominal size / Scale range / Size of connection / Optional extras required
Specifications and dimensions given in this leaflet represent the state of engineering at the time of printing.
Modifications may take place and materials specified may be replaced by others without prior notice.



WIKAL Instrument Corporation

1000 Wiegand Boulevard
Lawrenceville, GA 30045
Tel (770) 513-8200 Toll-free 1-888-WIKA-USA
Fax (770) 338-5118
E-Mail info@wika.com
www.wika.com